

Suction cup BL50-2 Silicone FCM, 1/8" NPSF female, with mesh filter

Article number: 9909644



- The silicone material complies with FDA 21 CFR 177.2600 & EU 1935/2004.
- Suitable for level adjustment.
- Lifting movement to separate small and thin objects.
- Less suitable when the lifting force is parallel to the surface of the object.

Technical data

| Description | Unit | Value |
|-------------------------|-----------------|---|
| Suction cup shape | - | Multibellows |
| Application | - | Bag handling, Food contact materials (FDA & EU), non-detectable |
| Suction cup design | - | Round |
| Characteristics | - | Bag handling, Food contact materials (FDA & EU), non-detectable |
| Material | - | Silicone (SIL) |
| Weight, min. | g | 20 |
| Suction cup model | - | BL-2 |
| Volume | cm ³ | 53 |
| Height | mm | 62 |
| Outer diameter, min. | mm | 48 |
| Fitting size | - | 1/8" |
| Fitting option | - | Filter mesh |
| Fitting style | - | Female |
| Fitting type | - | NPSF-thread |
| Suction cup model | - | BL50-2 reinforcement ring |
| Movement, vertical max. | mm | 30 |
| Suction cup model | - | BL50-2 |
| Movement, vertical max. | mm | 30 |
| Curve radius, min. | mm | 13 |

Performance - Lifting forces

| BL50-2 reinforcement ring | Vertical (N) | Parallel (N) |
|---------------------------|--------------|--------------|
| 20 -kPa | 17 | |
| 60 -kPa | 43 | |
| BL50-2 | | |
| 20 -kPa | 21 | |
| 60 -kPa | 48 | |

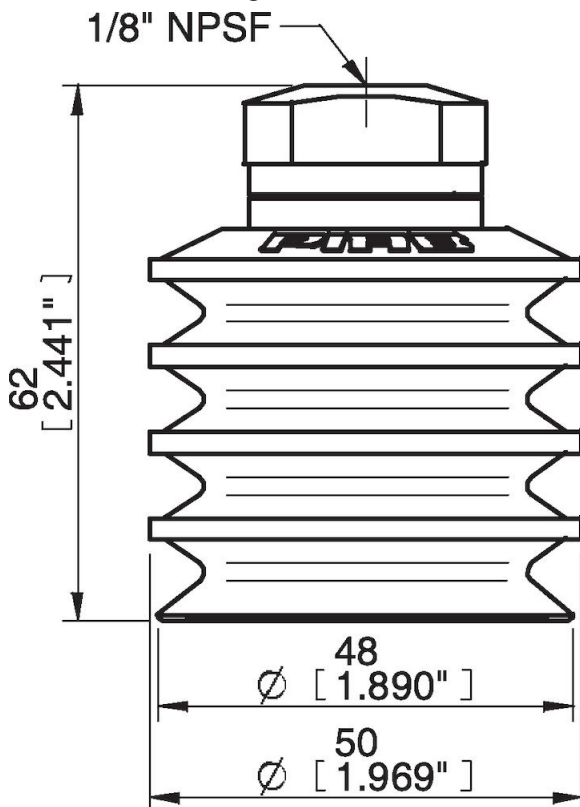
Material

| | |
|------------------------|------------------------------|
| Name | Silicone (SIL FDA) 50° Shore |
| Colour | Transparent |
| Temperature, min. °C | -40 |
| Temperature max. °C | 200 |
| Hardness °Shore A | 50 |

Material resistance

| | |
|--------------------|-----------|
| Alcohol | Good |
| Concentrated acids | Poor |
| Ethanol | n/a |
| Hydrolysis | Fair |
| Methanol | n/a |
| Oil | Poor |
| Oxidation | Excellent |
| Petrol | Poor |
| Wear resistance | Good |
| Weather and ozone | Excellent |

Dimensional drawings



Values specified in this data sheet are tested at (unless otherwise stated):

- Room temperature (20°C [68°F] ± 3°C [5.5°F]).
- Standard atmosphere (101.3 [29.9 inHg] ± 1.0 kPa [0.3 inHg]).
- Relative humidity 20-70%.
- Compressed air quality, DIN ISO 8573-1 class 4.

Accessories

- 3250092 | Fitting G1/4" male, 50, with mesh filter
- 3250094 | Fitting 1/4" NPT male, with mesh filter

Spare parts

- 0101154 | Fitting 1/8" NPSF female, 50, with mesh filter
- 0200416 | Suction cup BL50-2 Silicone FCM