

# Suction cup VL75FC, G1/4"-G1/8"

Article number: 0202750



- Suitable for flat or slightly corrugated or curved surfaces
- Good stability and little inherent movement
- Recommended when the lifting force is parallel to the surface of the object
- Cleats prevent thin, sensitive objects from being deformed and gives extra friction when the lifting force is parallel
- Volume discounts available for big packs from 30-99 pieces with an even larger discount for big packs of 100 pieces and above
- PVC-free recyclable material

## Technical data

| Description              | Unit | Value        |
|--------------------------|------|--------------|
| Suction cup shape        | -    | Flat Concave |
| Suction cup design       | -    | Round        |
| Material                 | -    | TPE          |
| Suction cup model        | -    | FC           |
| Height (B)               | mm   | 38.3         |
| Height 2 (D)             | mm   | 18           |
| Inner diameter (C)       | mm   | 12           |
| Outer diameter, min. (A) | mm   | 75           |
| Fitting size             | -    | 1/4", 1/8"   |
| Fitting option           | -    | None         |
| Fitting style            | -    | Female/Male  |
| Fitting type             | -    | G-thread     |
| Suction cup model        | -    | VL75FC TPE-U |

## Performance - Lifting forces

| VL75FC TPE-U | Vertical (N) | Parallel (N) |
|--------------|--------------|--------------|
| 50 -kPa      | 113 N        |              |

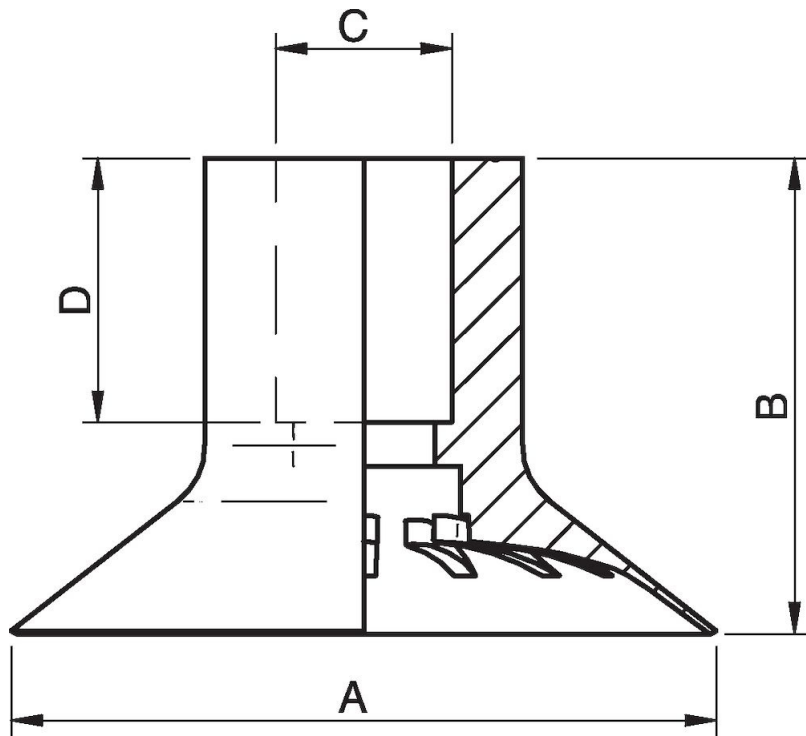
## Material

|                        |        |
|------------------------|--------|
| Name                   | TPE-U  |
| Colour                 | Purple |
| Temperature, min.   °C | 0      |
| Temperature max.   °C  | 60     |
| Hardness   °Shore A    | 65     |

## Material resistance

|                    |     |
|--------------------|-----|
| Alcohol            | n/a |
| Concentrated acids | n/a |
| Ethanol            | n/a |
| Hydrolysis         | n/a |
| Methanol           | n/a |
| Oil                | n/a |
| Oxidation          | n/a |
| Petrol             | n/a |
| Wear resistance    | n/a |
| Weather and ozone  | n/a |

## Dimensional drawings



**Values specified in this data sheet are tested at (unless otherwise stated):**

- Room temperature (20°C [68°F] ± 3°C [5.5°F]).
- Standard atmosphere (101.3 [29.9 inHg] ± 1.0 kPa [0.3 inHg]).
- Relative humidity 20-70%.
- Compressed air quality, DIN ISO 8573-1 class 4.

### Accessories

0202165 | Fitting VL D=Ø12, G3/8" - G1/4"

0202163 | Fitting VL D=Ø12, 1/4"NPT - 1/8"NPSF

0202167 | Fitting VL D=Ø12, 3/8" NPT - 1/4" NPSF

### Spare parts

0202103 | Suction cup VL75FC

0202159 | Fitting VL D=Ø12, G1/4" - G1/8"