

Suction cup B50 Silicone, G1/4" male, with mesh filter and dual flow control valve

Article number: 0101638



- Suitable for level adjustment. Several short bellows in one lifting device can handle objects with height differences and varying shapes, for example embossed or corrugated plates.
- The lifting movement can be used to separate small and thin objects.
- Only lightweight objects should be handled when the lifting force is parallel to the surface of the object, in order to achieve good precision and safe lifting movement.

Technical data

Description	Unit	Value
Suction cup shape	-	Bellows
Application	-	Dry sheet metal, Plastic injection molded parts
Suction cup design	-	Round
Characteristics	-	Dry sheet metal, Plastic injection molded parts
Material	-	Silicone (SIL)
Weight, min.	g	20
Suction cup model	-	B
Volume	cm ³	32
Leakage flow, max.	ml/s	0.16
Height	mm	50.3
Outer diameter, min.	mm	53.7
Outer diameter, actuated	mm	60
Fitting size	-	1/4"
Fitting option	-	Dual flow control valve, Filter mesh
Fitting style	-	Male
Fitting type	-	G-thread
Valve restriction	mm	1
Suction cup model	-	B50
Movement, vertical max.	mm	18.2
Curve radius, min.	mm	30

Performance - Lifting forces

B50	Vertical (N)	Parallel (N)
20 -kPa	33	24.2
60 -kPa	65	51.2
90 -kPa	82	60.8

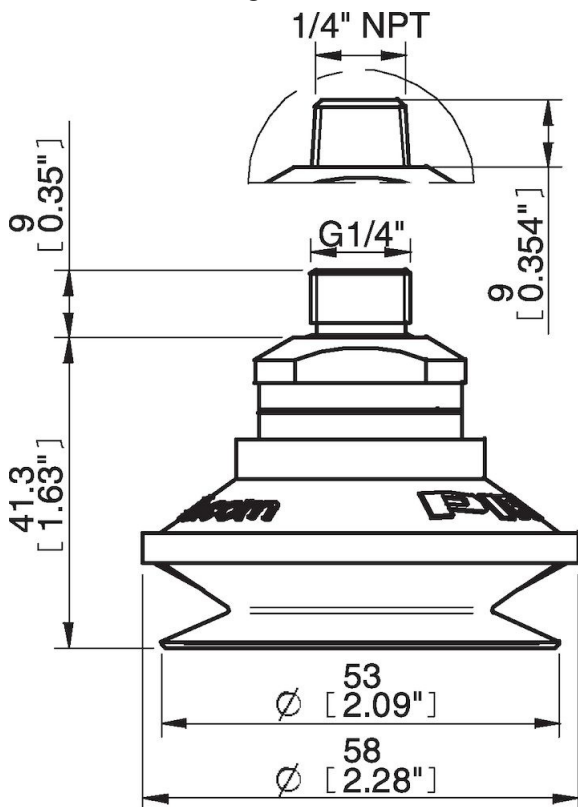
Material

Name	Silicone, SIL 50° Shore A
Colour	Red
Temperature, min. °C	-40
Temperature max. °C	200
Hardness °Shore A	50

Material resistance

Alcohol	Good
Concentrated acids	Poor
Ethanol	n/a
Hydrolysis	Fair
Methanol	n/a
Oil	Poor
Oxidation	Excellent
Petrol	Poor
Wear resistance	Good
Weather and ozone	Excellent

Dimensional drawings



Values specified in this data sheet are tested at (unless otherwise stated):

- Room temperature (20°C [68°F] ± 3°C [5.5°F]).
- Standard atmosphere (101.3 [29.9 inHg] ± 1.0 kPa [0.3 inHg]).
- Relative humidity 20-70%.
- Compressed air quality, DIN ISO 8573-1 class 4.

Accessories

0100262 | Fitting 5x1/8" NPSF female, 50
0101107 | Suction cup B50 Nitrile-PVC
0101154 | Fitting 1/8" NPSF female, 50, with mesh filter
0108165 | Suction cup B50 HNBR
0200715 | Fitting G1/8" male, 50, with mesh filter
3150198 | Fitting 1/8" NPSF female, 50, PA
3250017 | Fitting 1/8" NPSF female, 50
3250087 | Fitting G3/8" male, 50, with mesh filter
3250090 | Fitting 3/8" NPT male, with mesh filter
3250092 | Fitting G1/4" male, 50, with mesh filter
3250094 | Fitting 1/4" NPT male, with mesh filter
3251012 | Fitting 1/8" NPSF female, 50, with dual flow control valve
3251014 | Fitting 1/4" NPT male, with dual flow control valve
3251015 | Fitting G3/8" male, 50, with mesh filter and dual flow control valve
3251016 | Fitting 3/8" NPT male, with dual flow control valve
3251017 | Fitting 5x1/8" NPSF female, 50, with dual flow control valve

Spare parts

0101108 | Suction cup B50 Silicone
3251013 | Fitting G1/4" male, with mesh filter and dual flow control valve