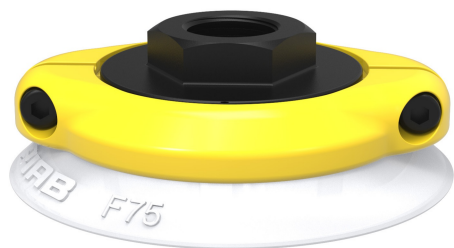


Suction cup F75 Silicone FCM, G3/8" female, with mesh filter

Article number: 0200497



- The silicone material complies with FDA 21 CFR 177.2600 & EU 1935/2004.
- Suitable for flat objects.
- Good stability and little inherent movement.
- Recommended when the lifting force is parallel to the surface of the object.
- Cleats prevent thin, sensitive objects from being deformed and gives extra friction when the lifting force is parallel.

Technical data

Description	Unit	Value
Suction cup shape	-	Flat
Application	-	Food contact materials (FDA & EU), non-detectable
Suction cup design	-	Round
Characteristics	-	Food contact materials (FDA & EU), non-detectable
Material	-	Silicone (SIL)
Weight, min.	g	23
Suction cup model	-	F
Volume	cm ³	20
Height	mm	26
Outer diameter, min.	mm	77
Outer diameter, actuated	mm	80
Fitting size	-	3/8"
Fitting option	-	Filter mesh
Fitting style	-	Female
Fitting type	-	G-thread
Suction cup model	-	F75
Movement, vertical max.	mm	3
Curve radius, min.	mm	150

Performance - Lifting forces

F75	Vertical (N)	Parallel (N)
20 -kPa	80	60
60 -kPa	200	110
90 -kPa	270	140

Material

Name	Silicone (SIL FDA) 50° Shore
Colour	Transparent
Temperature, min. °C	-40
Temperature max. °C	200
Hardness °Shore A	50

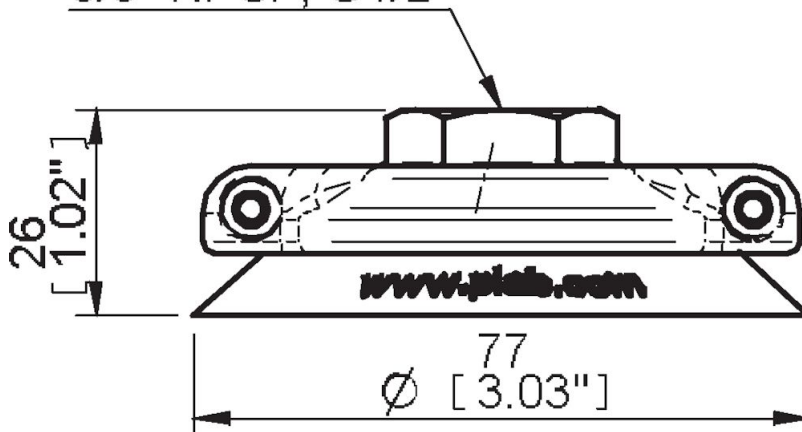
Material resistance

Alcohol	Good
Concentrated acids	Poor
Ethanol	n/a
Hydrolysis	Fair
Methanol	n/a
Oil	Poor
Oxidation	Excellent
Petrol	Poor
Wear resistance	Good
Weather and ozone	Excellent

Dimensional drawings

1/8" NPSF, G3/8"

3/8" NPSF, G1/2"



Values specified in this data sheet are tested at (unless otherwise stated):

- Room temperature (20°C [68°F] ± 3°C [5.5°F]).
- Standard atmosphere (101.3 [29.9 inHg] ± 1.0 kPa [0.3 inHg]).
- Relative humidity 20-70%.
- Compressed air quality, DIN ISO 8573-1 class 4.

Accessories

0100553 | Fitting 75, 3/8" NPSF female, with mesh filter

Spare parts

0100551 | Fitting 75, G3/8" female, with mesh filter

0200264 | Suction cup F75 Silicone FCM