

# Suction cup BXF105P Polyurethane 60, G3/8" male with mesh filter

Article number: 0209426



- Special designed friction cup with multi bellows for oily metal sheets. Suitable for application where great level compensation is needed such as de-stacking sheets from magazines (press-line) and picking car body parts from racks.
- Very low vacuum level needed to fully compress the extra-long bellows causes the cup not to push away parts from position.
- The "BXF" design is suitable for flat as well as uneven/curved surfaces.
- Internal friction pattern on the lip can withstand high shear forces, typically 3–5 times more than corresponding conventional suction cups.
- Best choice if > 0.1g/m2 press oil is used on the sheet but also a great choice for dry metal sheets.
- DURAFLEX® is a material that features the elasticity of rubber and wear resistance of polyurethane. The material has a fantastic elastic memory, even after hundreds of thousand cycles.

## Technical data

Description	Unit	Value
Suction cup shape	-	Bellows
Application	-	Oily sheet metal
Suction cup design	-	Round
Characteristics	-	Oily sheet metal
Material	-	Polyurethane (PU)
Weight, min.	g	185
Suction cup model	-	BXF
Volume	cm <sup>3</sup>	284
Height	mm	89.1
Outer diameter, min.	mm	105
Outer diameter, actuated	mm	108
Fitting size	-	3/8"
Fitting option	-	Filter mesh
Fitting style	-	Male
Fitting type	-	G-thread
Material	-	Al
Suction cup model	-	BXF105P Dry metal sheet
Movement, vertical max.	mm	56.4
Curve radius, min.	mm	230
Suction cup model	-	BXF105P Oily metal sheet
Movement, vertical max.	mm	56.4
Curve radius, min.	mm	230

## Performance - Lifting forces

	Vertical (N)	Parallel (N)
BXF105P Dry metal sheet		
60 -kPa	217	105
90 -kPa	282	114
BXF105P Oily metal sheet		
60 -kPa	238	125
90 -kPa	314	129

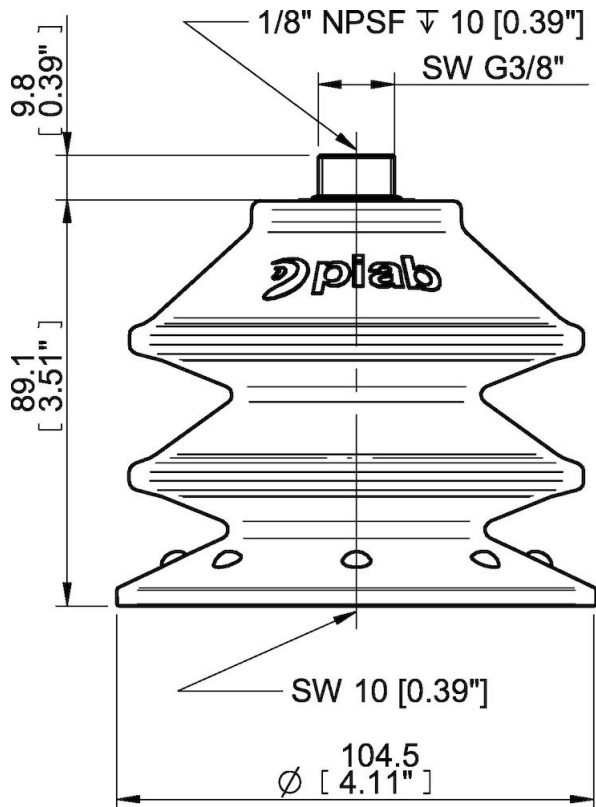
## Material

Name	Polyurethane (PU60)
Colour	Orange
Temperature, min.   °C	10
Temperature max.   °C	50
Hardness   °Shore A	60

## Material resistance

Alcohol	n/a
Concentrated acids	Fair
Ethanol	Fair
Hydrolysis	Fair
Methanol	Poor
Oil	Excellent
Oxidation	Poor
Petrol	Fair
Wear resistance	Excellent
Weather and ozone	Excellent

## Dimensional drawings



## Values specified in this data sheet are tested at (unless otherwise stated):

- Room temperature (20°C [68°F]  $\pm$  3°C [5.5°F]).
- Standard atmosphere (101.3 [29.9 inHg]  $\pm$  1.0 kPa [0.3 inHg]).
- Relative humidity 20-70%.
- Compressed air quality, DIN ISO 8573-1 class 4.