

# COAX® cartridge MIDI Pi48-2, holding cap, extra non-return valve

Article number: 0107712



- Two-stage COAX® cartridge - MIDI - with small mounting dimension for limited spaces.
- Vacuum level to 90 -kPa at low feed pressure.
- High system reliability in case of fluctuating or low feed pressure.
- Efficient generator of blow-air, recommended for overpressures between 0.05 and 0.14 MPa.

## Technical data

Description	Unit	Value
Material	-	Al, Nitrile (NBR), PA, SS
Temperature, max.	°C	80
Temperature, min.	°C	-10
Weight, max.	g	57
Weight, min.	g	27
Feed pressure, max.	MPa	0.7

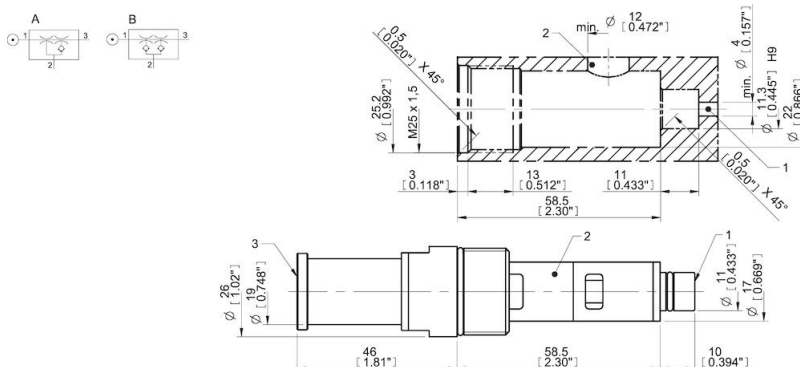
## Performance

Feed pressure MPa	Air consumption NI/s	Vacuum flow (NI/s) at different vacuum levels (-kPa)											Max vacuum kPa			
		0	10	20	30	40	50	60	70	75	80	90		95	99	
0.17	1.37	2.6	1.7	1.2	0.7	0.4	0.12	0	0	0	0	0	0	0	0	≥55
0.22	1.62	2.7	2	1.5	0.9	0.55	0.45	0.26	0.07	0	0	0	0	0	0	≥73
0.3	2	2.8	2.5	1.8	1.1	0.65	0.5	0.35	0.25	0	0.1	0	0	0	0	≥90
0.4	2.54	2.8	2.5	2.1	1.5	1.1	0.66	0.36	0.26	0	0.08	0	0	0	0	≥86

Feed pressure MPa	Air consumption NI/s	Evacuation time (s/l) to reach different vacuum levels (-kPa)											Max vacuum kPa			
		10	20	30	40	50	60	70	80	90	95	99		99.5	100.3	
0.17	1.37	0.04	0.1	0.2	0.4	1	0	0	0	0	0	0	0	0	0	≥55
0.22	1.62	0.035	0.09	0.18	0.32	0.51	0.8	1.7	0	0	0	0	0	0	0	≥73
0.3	2	0.038	0.084	0.153	0.267	0.441	0.677	1.01	1.581	0	0	0	0	0	0	≥90
0.4	2.54	0.03	0.065	0.12	0.19	0.3	0.6	0.9	1.7	4.5	0	0	0	0	0	≥86

Feed pressure MPa	Air consumption NI/s	Blow flow (NI/s) at different pressure levels (-kPa)													Max pressure kPa		
		0	10	20	30	40	50	60	70	80	90	100	110	120		130	140
0.6	3.5	6.15	6.15	6.15	6.05	5.95	5.49	5.03	4.49	4.49	4.49	4.49	4.49	4.26	4	3.63	≥0

## Dimensional drawings



Values specified in this data sheet are tested at (unless

**otherwise stated):**

- Room temperature (20°C [68°F] ± 3°C [5.5°F]).
- Standard atmosphere (101.3 [29.9 inHg] ± 1.0 kPa [0.3 inHg]).
- Compressed air quality, DIN ISO 8573-1 class 4.

**Accessories**

0111976 | Silencer COAX® MIDI

**Spare parts**

0109531 | Spare part kit Midi COAX

0124897 | Spare part kit Midi COAX Viton

0107130 | Cartridge holder Midi-2 cpl.