

Suction cup BFF80P Polyurethane 55/60 G3/8" female with mesh filter, 17 mm thread

Article number: 0207261



- Special designed friction cups for oily surfaces, such as sheets in metal forming processes.
- Normal wear on friction cup will not affect the long term shear force performance.
- Best choice if > 0.1g/m² press oil is used on the sheet.
- Thanks to the strong grip on oily surfaces, the suction cups can withstand high shear forces, typically 2–4 times more than corresponding conventional suction cups.
- The "BFF" design is suitable for uneven/curved surfaces or if level compensation is needed, for example in de-stacking applications.
- The flat inner support gives stability during movement in any orientation.
- DURAFLEX® suction cups manufactured in a specially developed material that features the elasticity of rubber and wear resistance of polyurethane. The material does not leave any marks on the objects handled.

Technical data

| Description | Unit | Value |
|--------------------------|------|-------------------------|
| Suction cup shape | - | Bellows |
| Application | - | Oily sheet metal |
| Suction cup design | - | Round |
| Characteristics | - | Oily sheet metal |
| Material | - | Polyurethane (PU) |
| Weight, min. | g | 112 |
| Suction cup model | - | BFF |
| Height | mm | 56 |
| Outer diameter, min. | mm | 85.8 |
| Outer diameter, actuated | mm | 86.7 |
| Fitting size | - | 3/8" |
| Fitting option | - | Filter mesh |
| Fitting style | - | Female |
| Fitting type | - | G-thread |
| Material | - | Al |
| Suction cup model | - | BFF80P Dry metal sheet |
| Movement, vertical max. | mm | 14 |
| Curve radius, min. | mm | 50 |
| Suction cup model | - | BFF80P Oily steel plate |
| Movement, vertical max. | mm | 14 |
| Curve radius, min. | mm | 50 |

Performance - Lifting forces

| | Vertical (N) | Parallel (N) |
|-------------------------|--------------|--------------|
| BFF80P Dry metal sheet | | |
| 60 -kPa | 176 | 201 |
| 90 -kPa | 236 | 240 |
| BFF80P Oily steel plate | | |
| 60 -kPa | 174 | 110 |
| 90 -kPa | 207 | 160 |

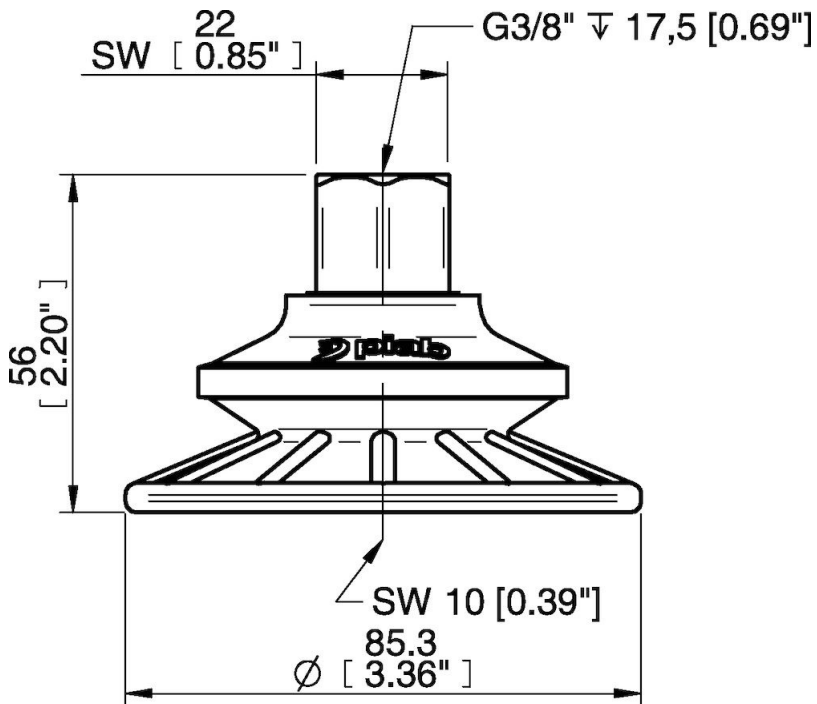
Material

| | | |
|------------------------|---------------------|---------------------|
| Name | Polyurethane (PU55) | Polyurethane (PU60) |
| Colour | Orange | Orange |
| Temperature, min. °C | 10 | 10 |
| Temperature max. °C | 50 | 50 |
| Hardness °Shore A | 55 | 60 |

Material resistance

| | | |
|--------------------|-----------|-----------|
| Alcohol | n/a | n/a |
| Concentrated acids | Fair | Fair |
| Ethanol | Fair | Fair |
| Hydrolysis | Fair | Fair |
| Methanol | Poor | Poor |
| Oil | Excellent | Excellent |
| Oxidation | Poor | Poor |
| Petrol | Fair | Fair |
| Wear resistance | Excellent | Excellent |
| Weather and ozone | Excellent | Excellent |

Dimensional drawings



Values specified in this data sheet are tested at (unless otherwise stated):

- Room temperature (20°C [68°F] ± 3°C [5.5°F]).
- Standard atmosphere (101.3 [29.9 inHg] ± 1.0 kPa [0.3 inHg]).
- Relative humidity 20-70%.
- Compressed air quality, DIN ISO 8573-1 class 4.