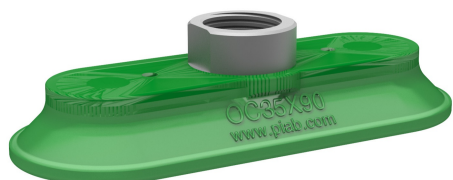


Suction cup OC35x90P Polyurethane 60, G3/8" female

Article number: 0103305



- Suitable for oblong objects with slightly domed or flat and oily surfaces, such as those encountered in body parts in the automotive industry.
- DURAFLEX® suction cups manufactured in a specially developed material that features the elasticity of rubber and wear resistance of polyurethane. The material does not leave any marks on the objects handled.
- Fitting option, male G3/8", with a swivel function prior to the locking operation, for easy positioning of the oval cup.

Technical data

Description	Unit	Value
Suction cup shape	-	Concave
Application	-	Mark Free
Suction cup design	-	Oval
Characteristics	-	Mark free
Material	-	Polyurethane (PU)
Weight, max.	g	40
Weight, min.	g	27
Suction cup model	-	OC-P
Volume	cm ³	20
Height	mm	22
Length	mm	94
Outer diameter, min.	mm	94
Fitting size	-	3/8"
Fitting option	-	None
Fitting style	-	Female
Fitting type	-	G-thread
Width	mm	37
Suction cup model	-	OC35x90P PU60
Movement, vertical max.	mm	4.5

Performance - Lifting forces

OC35x90P PU60	Vertical (N)	Parallel (N)
20 -kPa	49	68
60 -kPa	132	161
90 -kPa	171	206

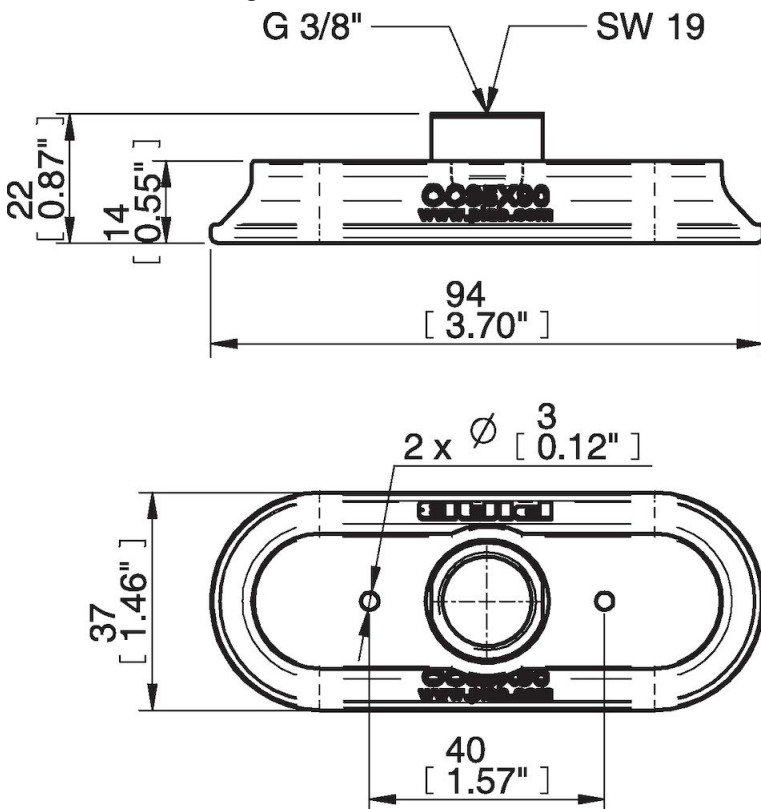
Material

Name	Polyurethane (PU60)
Colour	Green transparent
Temperature, min. °C	10
Temperature max. °C	50
Hardness °Shore A	60

Material resistance

Alcohol	n/a
Concentrated acids	Fair
Ethanol	Fair
Hydrolysis	Fair
Methanol	Poor
Oil	Excellent
Oxidation	Poor
Petrol	Fair
Wear resistance	Excellent
Weather and ozone	Excellent

Dimensional drawings



Values specified in this data sheet are tested at (unless otherwise stated):

- Room temperature (20°C [68°F] ± 3°C [5.5°F]).
- Standard atmosphere (101.3 [29.9 inHg] ± 1.0 kPa [0.3 inHg]).
- Relative humidity 20-70%.
- Compressed air quality, DIN ISO 8573-1 class 4.

Accessories

0115306 | Suction cup OC35x90P Polyurethane 40