

# Suction cup OC35x90P Polyurethane 40

Article number: 0115306



- Suitable for oblong objects with slightly domed or flat and oily surfaces, such as those encountered in body parts in the automotive industry.
- DURAFLEX® suction cups manufactured in a specially developed material that features the elasticity of rubber and wear resistance of polyurethane. The material does not leave any marks on the objects handled.
- Fitting option, male G3/8", with a swivel function prior to the locking operation, for easy positioning of the oval cup.

## Technical data

Description	Unit	Value
Suction cup shape	-	Concave
Application	-	Mark Free
Suction cup design	-	Oval
Characteristics	-	Mark free
Material	-	Polyurethane (PU)
Weight, max.	g	40
Weight, min.	g	27
Suction cup model	-	OC-P
Volume	cm <sup>3</sup>	20
Height	mm	14.5
Length	mm	94
Outer diameter, min.	mm	94
Fitting size	-	None
Fitting option	-	None
Fitting style	-	None
Fitting type	-	None
Width	mm	37
Suction cup model	-	OC35x90P PU40
Movement, vertical max.	mm	4.5

## Performance - Lifting forces

OC35x90P PU40	Vertical (N)	Parallel (N)
20 -kPa	49	53
60 -kPa	117	112
90 -kPa	171	147

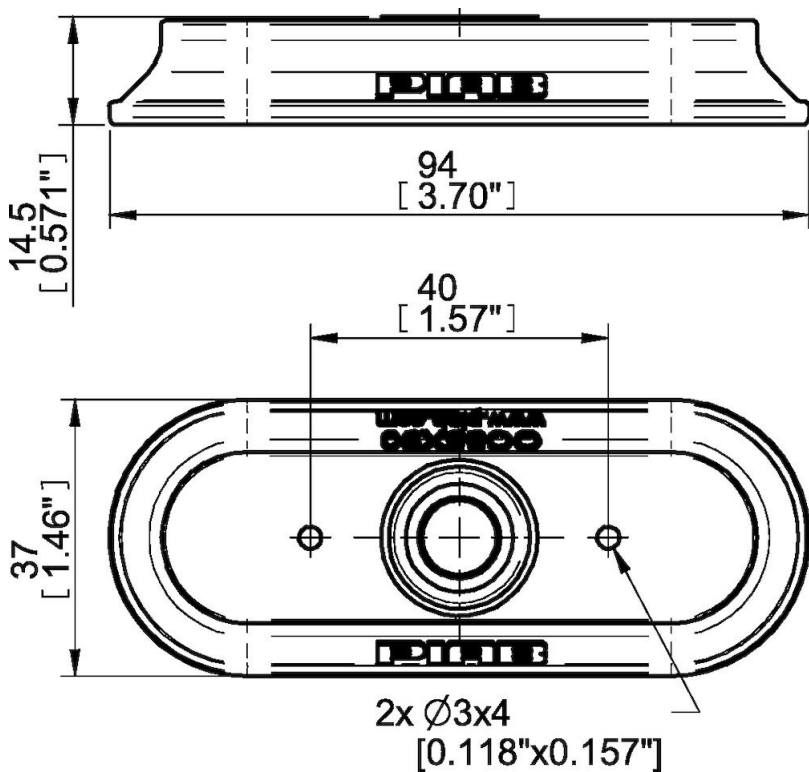
## Material

Name	Polyurethane (PU40)
Colour	Red transparent
Temperature, min.   °C	10
Temperature max.   °C	50
Hardness   °Shore A	40

## Material resistance

Alcohol	n/a
Concentrated acids	Fair
Ethanol	Fair
Hydrolysis	Fair
Methanol	Poor
Oil	Excellent
Oxidation	Poor
Petrol	Fair
Wear resistance	Excellent
Weather and ozone	Excellent

## Dimensional drawings



Values specified in this data sheet are tested at (unless otherwise stated):

- Room temperature (20°C [68°F] ± 3°C [5.5°F]).
- Standard atmosphere (101.3 [29.9 inHg] ± 1.0 kPa [0.3 inHg]).
- Relative humidity 20-70%.
- Compressed air quality, DIN ISO 8573-1 class 4.