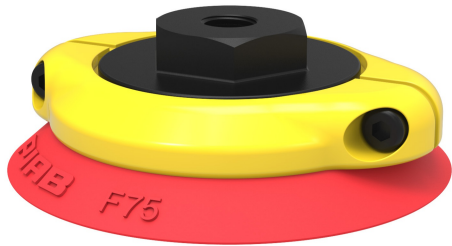


Suction cup F75 Silicone, 1/8" NPSF female, with mesh filter

Article number: 0101866



- Suitable for flat objects.
- Good stability and little inherent movement.
- Recommended when the lifting force is parallel to the surface of the object.
- Cleats prevent thin, sensitive objects from being deformed and gives extra friction when the lifting force is parallel.

Technical data

Description	Unit	Value
Suction cup shape	-	Flat
Application	-	Dry sheet metal
Suction cup design	-	Round
Characteristics	-	Dry sheet metal
Material	-	Silicone (SIL)
Weight, min.	g	23
Suction cup model	-	F
Volume	cm ³	20
Height	mm	26
Outer diameter, min.	mm	77
Outer diameter, actuated	mm	79
Fitting size	-	1/8"
Fitting option	-	Filter mesh
Fitting style	-	Female
Fitting type	-	NPSF-thread
Suction cup model	-	F75
Movement, vertical max.	mm	3
Curve radius, min.	mm	150

Performance - Lifting forces

F75	Vertical (N)	Parallel (N)
20 -kPa	80	60
60 -kPa	200	110
90 -kPa	270	140

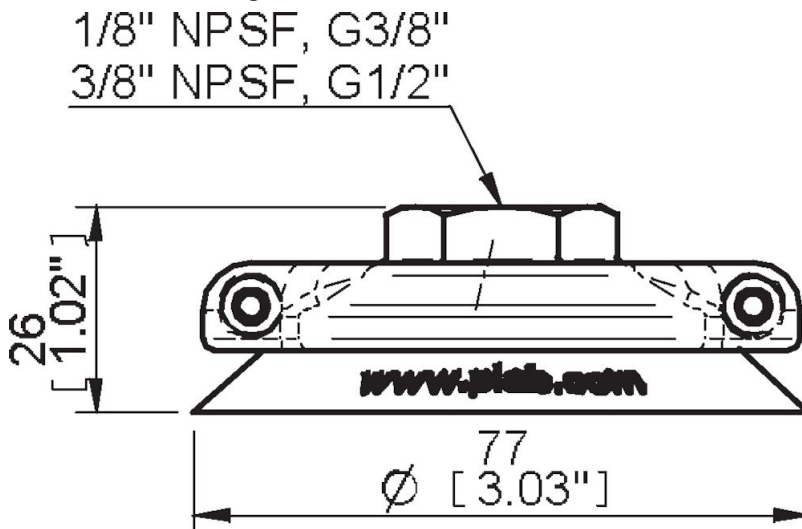
Material

Name	Silicone, SIL 50° Shore A
Colour	Red
Temperature, min. °C	-40
Temperature max. °C	200
Hardness °Shore A	50

Material resistance

Alcohol	Good
Concentrated acids	Poor
Ethanol	n/a
Hydrolysis	Fair
Methanol	n/a
Oil	Poor
Oxidation	Excellent
Petrol	Poor
Wear resistance	Good
Weather and ozone	Excellent

Dimensional drawings



Values specified in this data sheet are tested at (unless otherwise stated):

- Room temperature (20°C [68°F] ± 3°C [5.5°F]).
- Standard atmosphere (101.3 [29.9 inHg] ± 1.0 kPa [0.3 inHg]).
- Relative humidity 20-70%.
- Compressed air quality, DIN ISO 8573-1 class 4.

Accessories

0100551 | Fitting 75, G3/8" female, with mesh filter
0100552 | Fitting 75, G3/8" female, with cone valve
0100553 | Fitting 75, 3/8" NPSF female, with mesh filter
0100555 | Fitting 75, G1/2" female, with mesh filter
0100556 | Fitting 75, G1/2" female, with cone valve
3150131P | Suction cup F75 Nitrile-PVC
3150131T | Suction cup F75 HNBR

Spare parts

0100548 | Fitting 75, 1/8" NPSF female, with mesh filter
3150131S | Suction cup F75 Silicone