

# Suction cup FC150P Polyurethane 60, 3/8" NPSF female, with mesh filter

Article number: 0103751



- Suitable for slightly domed and flat and oily surfaces, e.g., such as those encountered when handling steel sheets in press processes.
- Thanks to the high friction of the rubber material, the suction cups can withstand high forces at rapid accelerations in horizontal directions, even on oily surfaces.
- The suction cups have cleats that prevent thin objects from being disfigured.
- DURAFLEX® suction cups manufactured in a specially developed material that features the elasticity of rubber and wear resistance of polyurethane. The material does not leave any marks on the objects handled.

## Technical data

| Description             | Unit            | Value                      |
|-------------------------|-----------------|----------------------------|
| Suction cup shape       | -               | Flat Concave               |
| Application             | -               | Dry sheet metal, Mark Free |
| Suction cup design      | -               | Round                      |
| Characteristics         | -               | Dry sheet metal, Mark free |
| Material                | -               | Polyurethane (PU)          |
| Weight, min.            | g               | 213                        |
| Suction cup model       | -               | FC                         |
| Volume                  | cm <sup>3</sup> | 250                        |
| Height                  | mm              | 56.5                       |
| Outer diameter, min.    | mm              | 150                        |
| Fitting size            | -               | 3/8"                       |
| Fitting option          | -               | Filter mesh                |
| Fitting style           | -               | Female                     |
| Fitting type            | -               | NPSF-thread                |
| Suction cup model       | -               | FC150P PU60                |
| Movement, vertical max. | mm              | 14.2                       |
| Curve radius, min.      | mm              | 165                        |

## Performance - Lifting forces

| FC150P PU60 | Vertical (N) | Parallel (N) |
|-------------|--------------|--------------|
| 20 -kPa     | 284          | 215          |
| 60 -kPa     | 716          | 568          |
| 90 -kPa     | 932          | 863          |

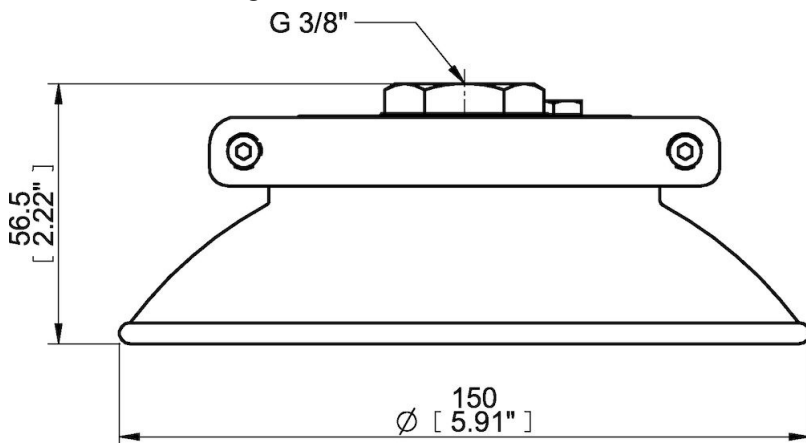
## Material

|                        |                     |
|------------------------|---------------------|
| Name                   | Polyurethane (PU60) |
| Colour                 | Green transparent   |
| Temperature, min.   °C | 10                  |
| Temperature max.   °C  | 50                  |
| Hardness   °Shore A    | 60                  |

## Material resistance

|                    |           |
|--------------------|-----------|
| Alcohol            | n/a       |
| Concentrated acids | Fair      |
| Ethanol            | Fair      |
| Hydrolysis         | Fair      |
| Methanol           | Poor      |
| Oil                | Excellent |
| Oxidation          | Poor      |
| Petrol             | Fair      |
| Wear resistance    | Excellent |
| Weather and ozone  | Excellent |

## Dimensional drawings



## Values specified in this data sheet are tested at (unless otherwise stated):

- Room temperature (20°C [68°F] ± 3°C [5.5°F]).
- Standard atmosphere (101.3 [29.9 inHg] ± 1.0 kPa [0.3 inHg]).
- Relative humidity 20-70%.
- Compressed air quality, DIN ISO 8573-1 class 4.

## Accessories

- 0100557 | Fitting 110 G3/8" female, with mesh filter
- 0100561 | Fitting 110, G1/2" female, with mesh filter

## Spare parts

- 0100559 | Fitting 110, 3/8" NPSF female, with mesh filter
- 0103301 | Suction cup FC150P Polyurethane 60