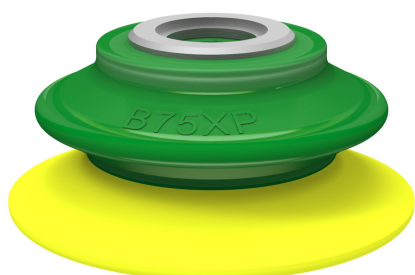


# Suction cup B75XP Polyurethane 30/60, for thread insert

Article number: 0205157



- Suitable for limited level adjustment with good stability.
- Excellent gripping performance on corrugated and porous or surface leaking objects such as cardboard, textured plastic parts and composite material (raw surface).
- In the two-coloured suction cup the bellows and the sealing lip are of different hardnesses, which makes the suction cup strong and stable for accelerations and speed, at the same time, soft and flexible.
- DURAFLEX® suction cups manufactured in a specially developed material that features the elasticity of rubber and wear resistance of polyurethane.
- The material DURAFLEX® is mark free.

## Technical data

Description	Unit	Value
Suction cup shape	-	Bellows
Application	-	Corrugated / cardboard, Plastic injection molded parts
Suction cup design	-	Round
Characteristics	-	Corrugated / cardboard, Plastic injection molded parts
Material	-	Polyurethane (PU)
Weight, min.	g	43.5
Suction cup model	-	B-XP
Volume	cm <sup>3</sup>	42.8
Height	mm	34.3
Outer diameter, min.	mm	77.5
Outer diameter, actuated	mm	77.5
Fitting size	-	None
Fitting option	-	None
Fitting style	-	None
Fitting type	-	None
Suction cup model	-	B75XP PU30 PU60
Movement, vertical max.	mm	16
Curve radius, min.	mm	50

## Performance - Lifting forces

B75XP PU30 PU60	Vertical (N)	Parallel (N)
20 -kPa	75	60
60 -kPa	176	150
90 -kPa	228	180

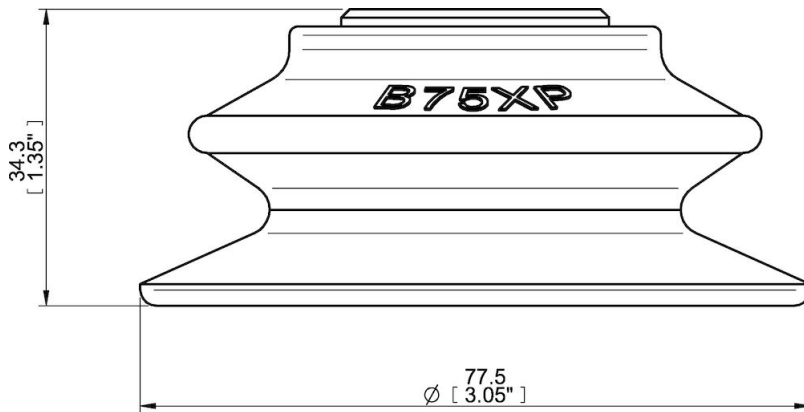
## Material

Name	Polyurethane (PU30)	Polyurethane (PU60)
Colour	Yellow	Green transparent
Temperature, min.   °C	10	10
Temperature max.   °C	50	50
Hardness   °Shore A	30	60

## Material resistance

Alcohol	n/a	n/a
Concentrated acids	Fair	Fair
Ethanol	Fair	Fair
Hydrolysis	Fair	Fair
Methanol	Poor	Poor
Oil	Excellent	Excellent
Oxidation	Poor	Poor
Petrol	Fair	Fair
Wear resistance	Excellent	Excellent
Weather and ozone	Excellent	Excellent

## Dimensional drawings



## Values specified in this data sheet are tested at (unless otherwise stated):

- Room temperature (20°C [68°F] ± 3°C [5.5°F]).
- Standard atmosphere (101.3 [29.9 inHg] ± 1.0 kPa [0.3 inHg]).
- Relative humidity 20-70%.
- Compressed air quality, DIN ISO 8573-1 class 4.

## Accessories

- 0106797 | Thread insert G3/8" male, with O-ring
- 0200716 | Thread insert G1/8" male, with O-ring and mesh filter
- 0201077 | Thread insert G1/4" male, with O-ring and mesh filter
- 0104857 | Fitting G3/8" Male - 1/8" NPSF Female