

Suction cup B15-2 HNBR, M5 male

Article number: 9906866



- Suitable for level adjustment.
- Lifting movement to separate small and thin objects.
- Only lightweight objects should be handled when the lifting force is parallel to the surface.

Technical data

Description	Unit	Value
Suction cup shape	-	Bellows
Application	-	Dry sheet metal, Glass handling, High/low temp cup (plastic), Plastic injection molded parts, Mark Free
Suction cup design	-	Round
Characteristics	-	Dry sheet metal, Glass handling, High/low temp cup (plastic), Plastic injection molded parts, Mark free
Material	-	HNBR
Weight, min.	g	1.5
Suction cup model	-	B
Volume	cm ³	1.1
Height	mm	28.3
Outer diameter, min.	mm	15.7
Outer diameter, actuated	mm	18
Fitting size	-	None
Fitting option	-	None
Fitting style	-	Male
Fitting type	-	M-thread
Width, actuated	mm	18.5
Suction cup model	-	B15-2
Movement, vertical max.	mm	6.7
Curve radius, min.	mm	5

Performance - Lifting forces

B15-2	Vertical (N)	Parallel (N)
20 -kPa	2.9	1.7
60 -kPa	5.9	3.2
90 -kPa	8.9	3.8

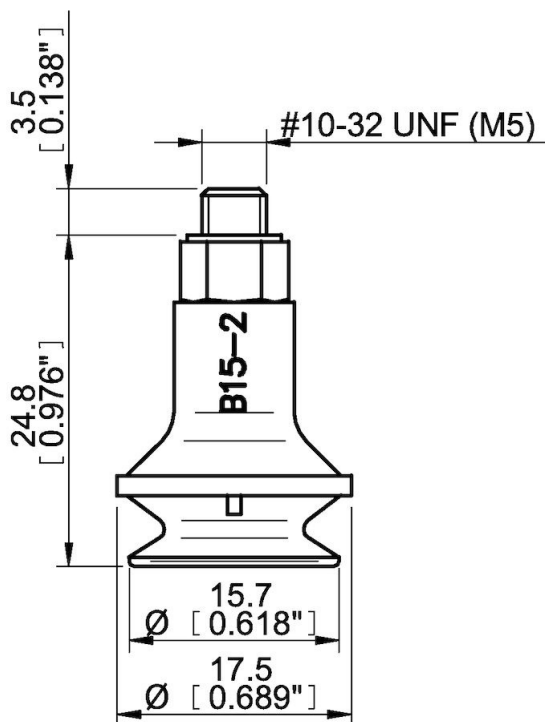
Material

Name	HNBR 50° Shore A
Colour	Blue
Temperature, min. °C	-30
Temperature max. °C	140
Hardness °Shore A	50

Material resistance

Alcohol	Good
Concentrated acids	Fair
Ethanol	n/a
Hydrolysis	Good
Methanol	n/a
Oil	Excellent
Oxidation	Excellent
Petrol	Excellent
Wear resistance	Excellent
Weather and ozone	Excellent

Dimensional drawings



Values specified in this data sheet are tested at (unless otherwise stated):

- Room temperature (20°C [68°F] ± 3°C [5.5°F]).
- Standard atmosphere (101.3 [29.9 inHg] ± 1.0 kPa [0.3 inHg]).
- Relative humidity 20-70%.
- Compressed air quality, DIN ISO 8573-1 class 4.

Accessories

- 3150230 | Suction cup B15-2 Chloroprene
- 3150230S | Suction cup B15-2 Silicone

Spare parts

- 0128693 | Suction cup B15-2 HNBR
- 3107030 | Fitting M5 male, 10-15