

# Suction cup U15 HNBR, M5 male

Article number: 9906864



- Suitable for objects with flat or slightly curved surfaces.
- Also used for concave objects.

## Technical data

Description	Unit	Value
Suction cup shape	-	Universal
Application	-	Plastic injection molded parts, Glass handling, High/low temp cup (plastic), Mark Free
Suction cup design	-	Round
Characteristics	-	Plastic injection molded parts, Glass handling, High/low temp cup (plastic), Mark free
Material	-	HNBR
Weight, min.	g	0.7
Suction cup model	-	U
Volume	cm <sup>3</sup>	0.5
Height	mm	16.5
Outer diameter, min.	mm	16.5
Fitting size	-	None
Fitting option	-	None
Fitting style	-	Male
Fitting type	-	M-thread
Suction cup model	-	U15
Movement, vertical max.	mm	1.5
Curve radius, min.	mm	8

## Performance - Lifting forces

U15	Vertical (N)	Parallel (N)
20 -kPa	3.5	4
60 -kPa	8.4	7.2
90 -kPa	11	8.1

## Material

Name	HNBR 50° Shore A
Colour	Blue
Temperature, min.   °C	-30
Temperature max.   °C	140
Hardness   °Shore A	50

## Material resistance

Alcohol	Good
Concentrated acids	Fair
Ethanol	n/a
Hydrolysis	Good
Methanol	n/a
Oil	Excellent
Oxidation	Excellent
Petrol	Excellent
Wear resistance	Excellent

Water and ozone

Excellent

Name HNBR 50° Shore A

Dimensional drawings

Blue

-30

140

50

Good

Fair

n/a

Good

n/a

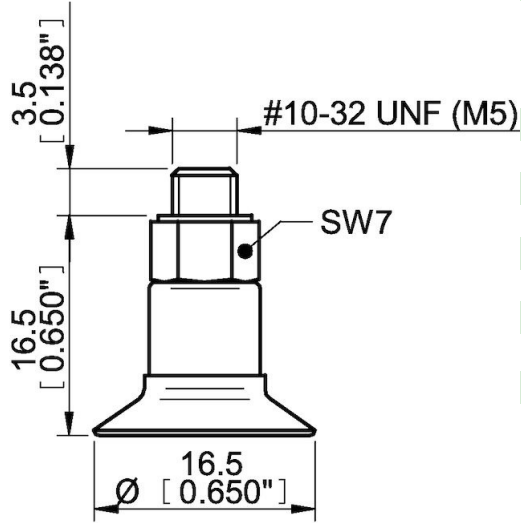
Excellent

Excellent

Excellent

Excellent

Excellent



Values specified in this data sheet are tested at (unless otherwise stated):

- Room temperature (20°C [68°F] ± 3°C [5.5°F]).
- Standard atmosphere (101.3 [29.9 inHg] ± 1.0 kPa [0.3 inHg]).
- Relative humidity 20-70%.
- Compressed air quality, DIN ISO 8573-1 class 4.

Accessories

3150118 | Suction cup U15 Chloroprene

3150118S | Suction cup U15 Silicone

Spare parts

0128690 | Suction cup U15 HNBR

3107030 | Fitting M5 male, 10-15