

Suction cup B25XP Polyurethane 60, 1/8" NPT male with mesh filter

Article number: 0205188



- Suitable for limited level adjustment with good stability.
- Excellent gripping performance on corrugated and porous or surface leaking objects such as cardboard, textured plastic parts and composite material (raw surface)
- In the two-coloured suction cup the bellows and the sealing lip are of different hardnesses, which makes the suction cup strong and stable for accelerations and speed, at the same time, soft and flexible.
- DURAFLEX® suction cups manufactured in a specially developed material that features the elasticity of rubber and wear resistance of polyurethane.
- The material DURAFLEX® is mark free.

Technical data

| Description | Unit | Value |
|-------------------------|-----------------|---------------------------------|
| Suction cup shape | - | Bellows |
| Application | - | Dry sheet metal, Glass handling |
| Suction cup design | - | Round |
| Characteristics | - | Dry sheet metal, Glass handling |
| Material | - | Polyurethane (PU) |
| Weight, min. | g | 1.8 |
| Suction cup model | - | B-XP |
| Volume | cm ³ | 1.63 |
| Height | mm | 26 |
| Outer diameter, min. | mm | 26 |
| Fitting size | - | 1/8" |
| Fitting option | - | Filter mesh |
| Fitting style | - | Male |
| Fitting type | - | NPT-thread |
| Suction cup model | - | B25XP PU60 |
| Movement, vertical max. | mm | 5.5 |
| Curve radius, min. | mm | 11 |

Performance - Lifting forces

| B25XP PU60 | Vertical (N) | Parallel (N) |
|------------|--------------|--------------|
| 20 -kPa | 12 | 10 |
| 60 -kPa | 27 | 13 |
| 90 -kPa | 30 | 18 |

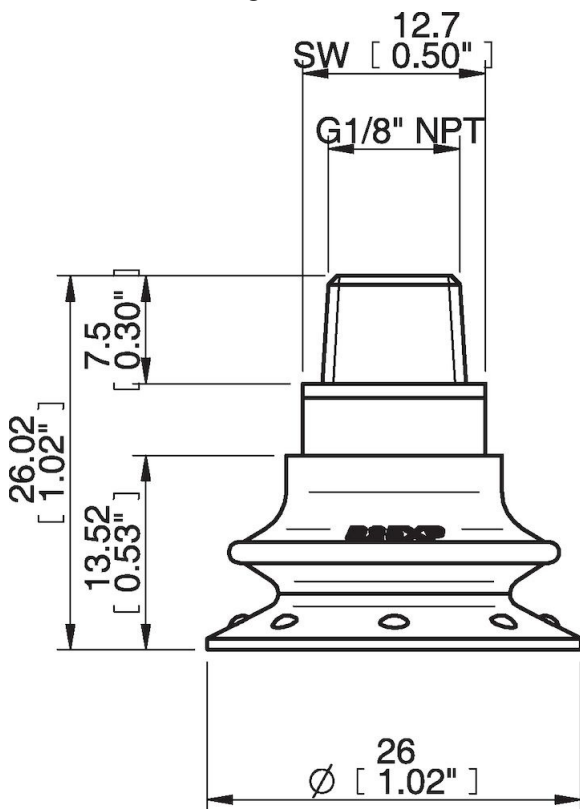
Material

| | |
|------------------------|---------------------|
| Name | Polyurethane (PU60) |
| Colour | Green transparent |
| Temperature, min. °C | 10 |
| Temperature max. °C | 50 |
| Hardness °Shore A | 60 |

Material resistance

| | |
|--------------------|-----------|
| Alcohol | n/a |
| Concentrated acids | Fair |
| Ethanol | Fair |
| Hydrolysis | Fair |
| Methanol | Poor |
| Oil | Excellent |
| Oxidation | Poor |
| Petrol | Fair |
| Wear resistance | Excellent |
| Weather and ozone | Excellent |

Dimensional drawings



Values specified in this data sheet are tested at (unless otherwise stated):

- Room temperature (20°C [68°F] ± 3°C [5.5°F]).
- Standard atmosphere (101.3 [29.9 inHg] ± 1.0 kPa [0.3 inHg]).
- Relative humidity 20-70%.
- Compressed air quality, DIN ISO 8573-1 class 4.

Accessories

- 0100260 | Fitting 5xM5 female
- 0101152 | Fitting G1/8" male/M5 female, with mesh filter
- 3250003 | Fitting M5 female
- 3250085 | Fitting G1/8" male, with mesh filter

Spare parts

- 3250088 | Fitting 1/8" NPT male, with mesh filter
- 0205185 | Suction cup B25XP Polyurethane 60