

Suction cup BL50-4 Silicone, 1/2" NPT male

Article number: 0120544



- Good sealing properties
- Suitable for bags with fragile content e.g. snacks and cookies and lifting frozen food
- Suitable for level compensation
- High flow fitting

Technical data

| Description | Unit | Value |
|-------------------------|-----------------|----------------|
| Suction cup shape | - | Multibellows |
| Application | - | Bag handling |
| Suction cup design | - | Round |
| Characteristics | - | Bag handling |
| Material | - | Silicone (SIL) |
| Weight, min. | g | 25 |
| Suction cup model | - | BL-4 |
| Volume | cm ³ | 35 |
| Height | mm | 75 |
| Outer diameter, min. | mm | 50.3 |
| Fitting size | - | 1/2" |
| Fitting option | - | None |
| Fitting style | - | Male |
| Fitting type | - | NPT-thread |
| Suction cup model | - | BL50-4 |
| Movement, vertical max. | mm | 22 |
| Curve radius, min. | mm | 30 |

Performance - Lifting forces

| BL50-4 | Vertical (N) | Parallel (N) |
|---------|--------------|--------------|
| 20 -kPa | 8 | 8.4 |
| 60 -kPa | 25 | 16.8 |

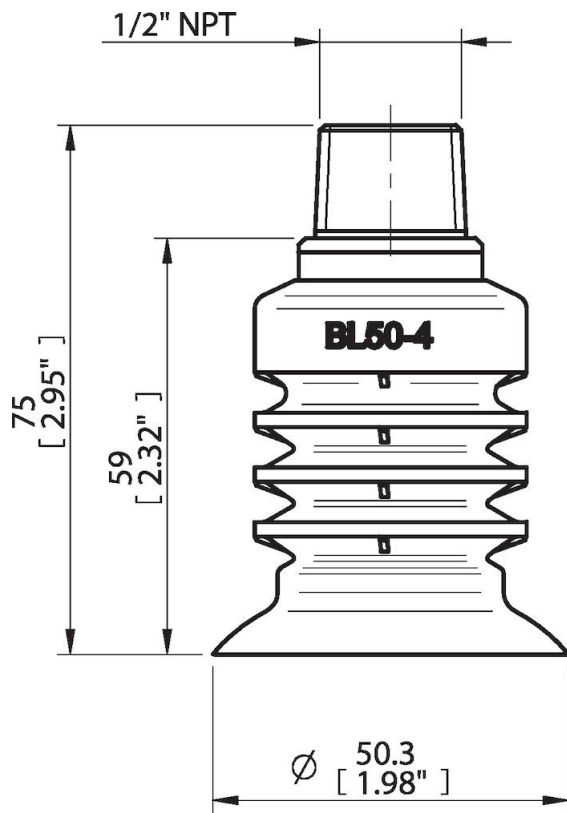
Material

| | |
|------------------------|---------------------------|
| Name | Silicone, SIL 40° Shore A |
| Colour | Red |
| Temperature, min. °C | -40 |
| Temperature max. °C | 200 |
| Hardness °Shore A | 40 |

Material resistance

| | |
|--------------------|-----------|
| Alcohol | Good |
| Concentrated acids | Poor |
| Ethanol | n/a |
| Hydrolysis | Fair |
| Methanol | n/a |
| Oil | Poor |
| Oxidation | Excellent |
| Petrol | Poor |
| Wear resistance | Good |
| Weather and ozone | Excellent |

Dimensional drawings



Values specified in this data sheet are tested at (unless otherwise stated):

- Room temperature (20°C [68°F] ± 3°C [5.5°F]).
- Standard atmosphere (101.3 [29.9 inHg] ± 1.0 kPa [0.3 inHg]).
- Relative humidity 20-70%.
- Compressed air quality, DIN ISO 8573-1 class 4.

Accessories

0113117 | Fitting G1/2" male, bag

Spare parts

0113140 | Fitting 1/2" NPT male, bag

0117612 | Suction cup BL50-4 Silicone