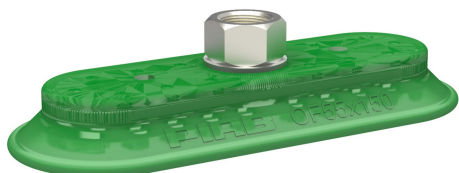


Suction cup OF55x150P Polyurethane 60, 3/8" NPSF female

Article number: 0108036



- Suitable for flat and rough surfaces.
- Fair stability and little inherent movement.
- Recommended when the lifting force is parallel to the surface of the object.
- Cleats prevent thin, sensitive objects from being deformed and give extra friction when the lifting force is parallel to the surface of the object.
- DURAFLEX® are suction cups manufactured in a specially developed material that features the elasticity of rubber and wear resistance of polyurethane. The material does not leave any marks on the objects handled.

Technical data

| Description | Unit | Value |
|-------------------------|-----------------|-------------------|
| Suction cup shape | - | Flat |
| Application | - | Mark Free |
| Suction cup design | - | Oval |
| Characteristics | - | Mark free |
| Material | - | Polyurethane (PU) |
| Weight, min. | g | 109 |
| Suction cup model | - | OF |
| Volume | cm ³ | 37 |
| Height | mm | 34 |
| Length | mm | 154 |
| Outer diameter, min. | mm | 154 |
| Fitting size | - | 3/8" |
| Fitting option | - | None |
| Fitting style | - | Female |
| Fitting type | - | NPSF-thread |
| Width | mm | 59 |
| Suction cup model | - | OF55x150P PU60 |
| Movement, vertical max. | mm | 3 |
| Curve radius, min. | mm | 150 |

Performance - Lifting forces

| OF55x150P PU60 | Vertical (N) | Parallel (N) |
|----------------|--------------|--------------|
| 20 -kPa | 134 | 128 |
| 60 -kPa | 376 | 338 |
| 90 -kPa | 558 | 477 |

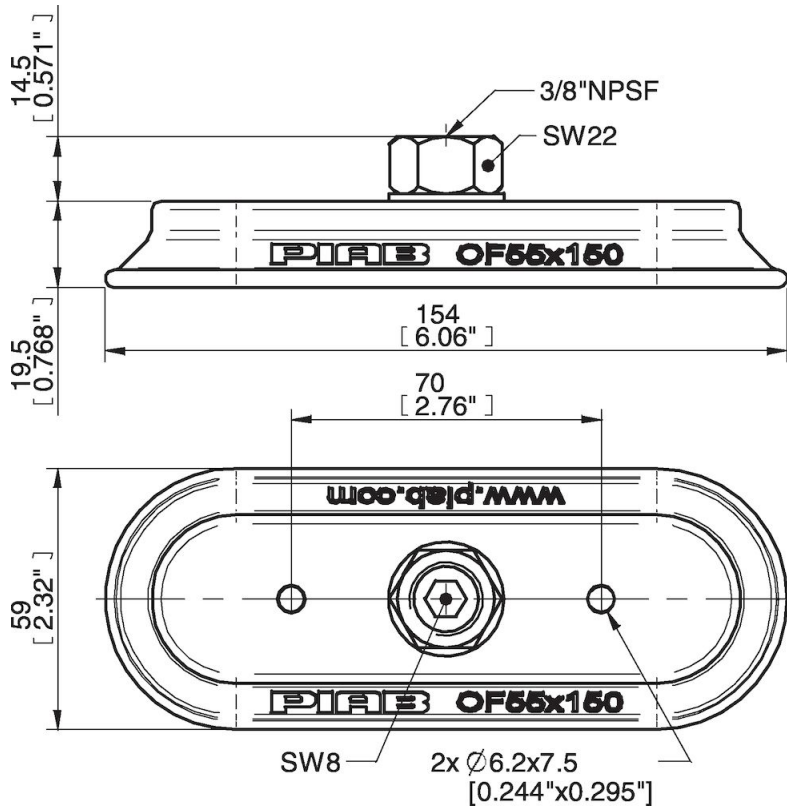
Material

| | |
|------------------------|---------------------|
| Name | Polyurethane (PU60) |
| Colour | Green transparent |
| Temperature, min. °C | 10 |
| Temperature max. °C | 50 |
| Hardness °Shore A | 60 |

Material resistance

| | |
|--------------------|-----------|
| Alcohol | n/a |
| Concentrated acids | Fair |
| Ethanol | Fair |
| Hydrolysis | Fair |
| Methanol | Poor |
| Oil | Excellent |
| Oxidation | Poor |
| Petrol | Fair |
| Wear resistance | Excellent |
| Weather and ozone | Excellent |

Dimensional drawings



Values specified in this data sheet are tested at (unless otherwise stated):

- Room temperature (20°C [68°F] ± 3°C [5.5°F]).
- Standard atmosphere (101.3 [29.9 inHg] ± 1.0 kPa [0.3 inHg]).
- Relative humidity 20-70%.
- Compressed air quality, DIN ISO 8573-1 class 4.

Accessories

0109909 | Suction cup OF55x150P Polyurethane 40

Spare parts

0109908 | Suction cup OF55x150P Polyurethane 60