

# Inline Vacuum Filter 50µm

Article number: 0232709

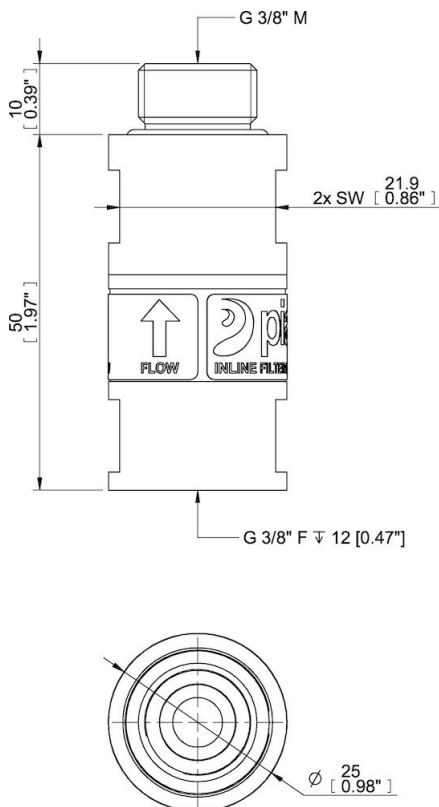


- Reduces the risk of operation breakdown.
- These miniature in-line filters can be used on vacuum lines to protect vacuum pumps, vacuum switches and valves from contamination.
- Cleanable and replaceable filter element made of chemically inert porous polyethylene.
- The filter is designed to match an extension rod with length of 50 mm and G 3/8" threads.

## Technical data

Description	Unit	Value
Material	-	Al (anodized), Nitrile (NBR), PE
Temperature, max.	°C	80
Temperature, min.	°C	-20
Weight, min.	g	41
Flow	l/s	0.6
Particle size, min. (Filter pore size)	µm	50
Pressure, max.	MPa	0.6
Pressure, drop	MPa	0.0024

## Dimensional drawings



## Spare parts

Spare part | Filter Element 50µm

0231057 | Filter Element 50µm