

Suction cup BX110P Polyurethane 60 with filter, 3/8" NPSF female

Article number: 0108404



- Suitable for level adjustment and for uneven and porous surfaces such as cardboard, etc.
- In the two-coloured suction cup the bellows and the sealing lip are of different hardnesses, which makes the suction cup strong and stable and, at the same time, soft and flexible.
- DURAFLEX® suction cups manufactured in a specially developed material that features the elasticity of rubber and wear resistance of polyurethane.
- The material DURAFLEX® is mark free.

Technical data

Description	Unit	Value
Suction cup shape	-	Multibellows
Application	-	Dry sheet metal, Corrugated / cardboard, Plastic injection molded parts, Mark Free
Suction cup design	-	Round
Characteristics	-	Dry sheet metal, Corrugated / cardboard, Plastic injection molded parts, Mark free
Material	-	Polyurethane (PU)
Weight, min.	g	237
Suction cup model	-	BX-P
Volume	cm ³	230
Height	mm	87
Outer diameter, min.	mm	113.7
Fitting size	-	3/8"
Fitting option	-	Filter
Fitting style	-	Female
Fitting type	-	NPSF-thread
Suction cup model	-	BX110P PU60
Movement, vertical max.	mm	39
Curve radius, min.	mm	55

Performance - Lifting forces

BX110P PU60	Vertical (N)	Parallel (N)
20 -kPa	181	158
60 -kPa	365	244
90 -kPa	424	293

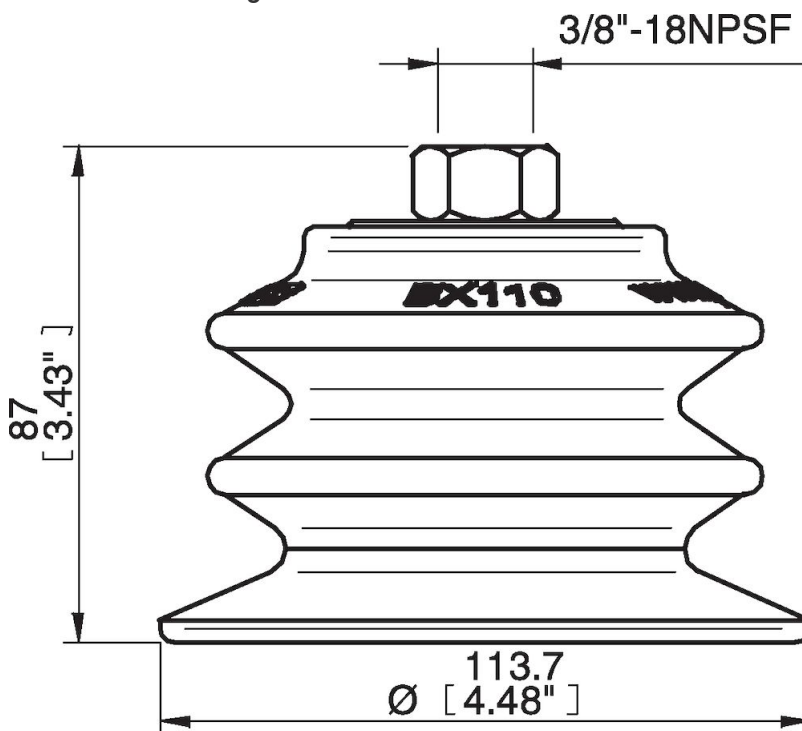
Material

Name	Polyurethane (PU60)
Colour	Green transparent
Temperature, min. °C	10
Temperature max. °C	50
Hardness °Shore A	60

Material resistance

Alcohol	n/a
Concentrated acids	Fair
Ethanol	Fair
Hydrolysis	Fair
Methanol	Poor
Oil	Excellent
Oxidation	Poor
Petrol	Fair
Wear resistance	Excellent
Weather and ozone	Excellent

Dimensional drawings



Values specified in this data sheet are tested at (unless otherwise stated):

- Room temperature (20°C [68°F] ± 3°C [5.5°F]).
- Standard atmosphere (101.3 [29.9 inHg] ± 1.0 kPa [0.3 inHg]).
- Relative humidity 20-70%.
- Compressed air quality, DIN ISO 8573-1 class 4.

Accessories

- 0106797 | Thread insert G3/8" male, with O-ring
- 0107093 | Suction cup BX110P Polyurethane 30/60
- 0108164 | Suction cup BX110P Polyurethane 30/60, with filter

Spare parts

- 0108340 | Suction cup BX110P Polyurethane 60, with filter
- 0201004 | Suction cup filter BX110P, 10 pcs