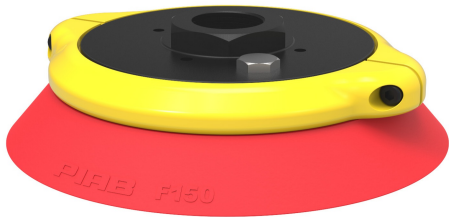


Suction cup F150 Silicone, G3/4" female, with mesh filter

Article number: 0101935



- Suitable for flat objects.
- Good stability and little inherent movement.
- Recommended when the lifting force is parallel to the surface of the object.
- Cleats prevent thin, sensitive objects from being deformed and gives extra friction when the lifting force is parallel.

Technical data

Description	Unit	Value
Suction cup shape	-	Flat
Application	-	Dry sheet metal
Suction cup design	-	Round
Characteristics	-	Dry sheet metal
Material	-	Silicone (SIL)
Weight, min.	g	200
Suction cup model	-	F
Volume	cm ³	160
Height	mm	40.4
Outer diameter, min.	mm	152
Fitting size	-	3/4"
Fitting option	-	Filter mesh
Fitting style	-	Female
Fitting type	-	G-thread
Suction cup model	-	F150
Movement, vertical max.	mm	6
Curve radius, min.	mm	500

Performance - Lifting forces

F150	Vertical (N)	Parallel (N)
20 -kPa	300	250
60 -kPa	850	600
90 -kPa	1100	800

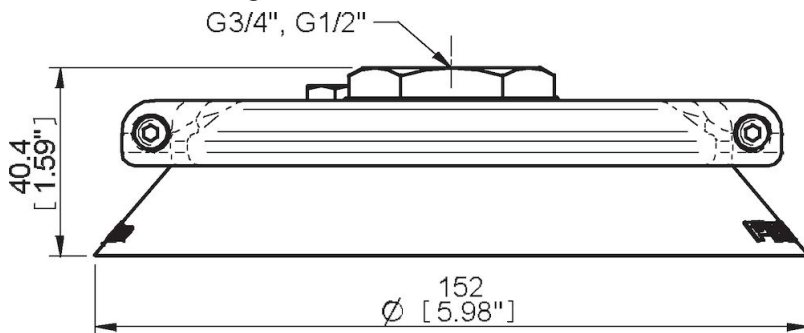
Material

Name	Silicone, SIL 50° Shore A
Colour	Red
Temperature, min. °C	-40
Temperature max. °C	200
Hardness °Shore A	50

Material resistance

Alcohol	Good
Concentrated acids	Poor
Ethanol	n/a
Hydrolysis	Fair
Methanol	n/a
Oil	Poor
Oxidation	Excellent
Petrol	Poor
Wear resistance	Good
Weather and ozone	Excellent

Dimensional drawings



Values specified in this data sheet are tested at (unless otherwise stated):

- Room temperature (20°C [68°F] ± 3°C [5.5°F]).
- Standard atmosphere (101.3 [29.9 inHg] ± 1.0 kPa [0.3 inHg]).
- Relative humidity 20-70%.
- Compressed air quality, DIN ISO 8573-1 class 4.

Accessories

- 0100564 | Fitting 150, G1/2" female, with mesh filter
- 0100566 | Fitting 150, G1/2" female, with cone valve
- 3150039P | Suction cup F150 Nitrile-PVC with washer
- 3150039S | Suction cup F150 Silicone with washer
- 3150133P | Suction cup F150 Nitrile-PVC
- 3250008 | Fitting G1/2" female Al, with mesh filter

Spare parts

- 0100567 | Fitting 150, G3/4" female, with mesh filter
- 3150133S | Suction cup F150 Silicone