

# Suction cup OF55x150P Polyurethane 60, thread insert G3/8" male, with mesh filter

Article number: 0108030



- Suitable for flat and rough surfaces.
- Fair stability and little inherent movement.
- Recommended when the lifting force is parallel to the surface of the object.
- Cleats prevent thin, sensitive objects from being deformed and give extra friction when the lifting force is parallel to the surface of the object.
- DURAFLEX® are suction cups manufactured in a specially developed material that features the elasticity of rubber and wear resistance of polyurethane. The material does not leave any marks on the objects handled.

## Technical data

| Description             | Unit            | Value             |
|-------------------------|-----------------|-------------------|
| Suction cup shape       | -               | Flat              |
| Application             | -               | Mark Free         |
| Suction cup design      | -               | Oval              |
| Characteristics         | -               | Mark free         |
| Material                | -               | Polyurethane (PU) |
| Weight, min.            | g               | 109               |
| Suction cup model       | -               | OF                |
| Volume                  | cm <sup>3</sup> | 37                |
| Height                  | mm              | 31                |
| Length                  | mm              | 154               |
| Outer diameter, min.    | mm              | 154               |
| Fitting size            | -               | 3/8"              |
| Fitting option          | -               | Filter mesh       |
| Fitting style           | -               | Male              |
| Fitting type            | -               | G-thread          |
| Width                   | mm              | 59                |
| Suction cup model       | -               | OF55x150P PU60    |
| Movement, vertical max. | mm              | 3                 |
| Curve radius, min.      | mm              | 150               |

## Performance - Lifting forces

| OF55x150P PU60 | Vertical (N) | Parallel (N) |
|----------------|--------------|--------------|
| 20 -kPa        | 134          | 128          |
| 60 -kPa        | 376          | 338          |
| 90 -kPa        | 558          | 477          |

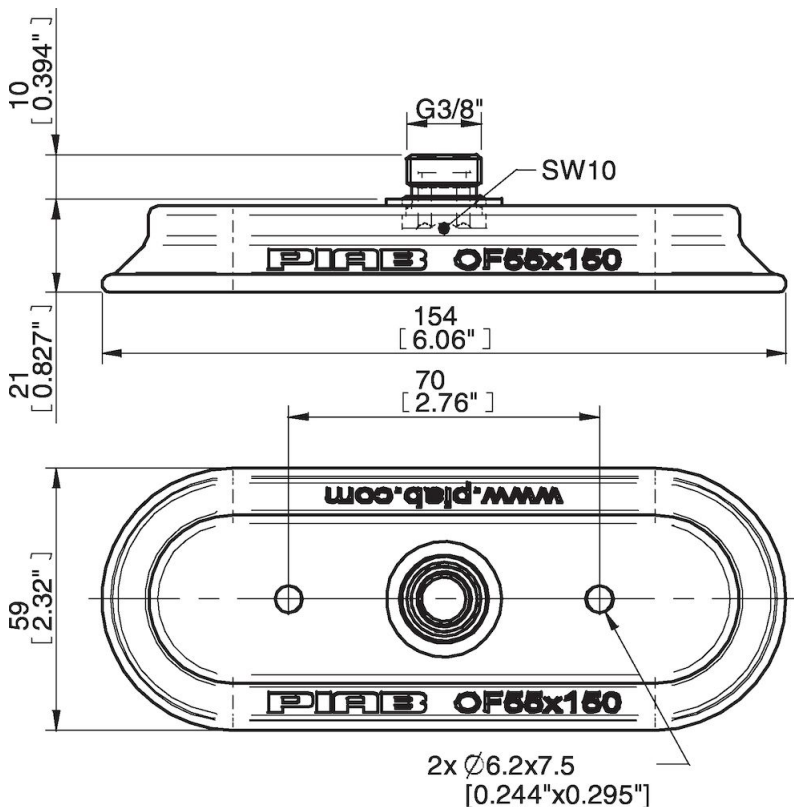
## Material

|                        |                     |
|------------------------|---------------------|
| Name                   | Polyurethane (PU60) |
| Colour                 | Green transparent   |
| Temperature, min.   °C | 10                  |
| Temperature max.   °C  | 50                  |
| Hardness   °Shore A    | 60                  |

## Material resistance

|                    |           |
|--------------------|-----------|
| Alcohol            | n/a       |
| Concentrated acids | Fair      |
| Ethanol            | Fair      |
| Hydrolysis         | Fair      |
| Methanol           | Poor      |
| Oil                | Excellent |
| Oxidation          | Poor      |
| Petrol             | Fair      |
| Wear resistance    | Excellent |
| Weather and ozone  | Excellent |

## Dimensional drawings



## Values specified in this data sheet are tested at (unless otherwise stated):

- Room temperature (20°C [68°F] ± 3°C [5.5°F]).
- Standard atmosphere (101.3 [29.9 inHg] ± 1.0 kPa [0.3 inHg]).
- Relative humidity 20-70%.
- Compressed air quality, DIN ISO 8573-1 class 4.

## Accessories

0109909 | Suction cup OF55x150P Polyurethane 40

## Spare parts

0107148 | Thread insert G3/8" male, with O-ring and mesh filter

0109908 | Suction cup OF55x150P Polyurethane 60