

Suction cup B-BL40-2 Silicone, G3/8" male composite detectable, FCM

Article number: 0207105



- The silicone material complies with FDA 21 CFR 177.2600 and EU 1935/2004.
- Long lasting high-end silicone material
- A low percentage metal additive (Fe) is mixed with the rubber material to make it detectable.
- Suitable for bakeries for use with handling seeded product
- Suitable for level adjustment.
- Available with male threaded food grade, detectable plastic fittings or acid proof stainless steel fittings. The fittings are separable.
- Additional fitting option – retainer clip for standard belts used for bread de-panner
- Easy to clean with hygienic design. No dust/dirt pockets.
- Low vacuum level needed to collapse bellows. Reduces risk for damaging the handled bakery product

Technical data

Description	Unit	Value
Suction cup shape	-	Multibellows
Application	-	Food contact materials (FDA & EU), detectable
Suction cup design	-	Round
Characteristics	-	Food contact materials (FDA & EU), detectable
Material	-	Silicone (SIL)
Load, torque, max.	Nm	13
Weight, min.	g	13.8
Suction cup model	-	B-BL
Volume	cm ³	29.1
Height	mm	45
Outer diameter, min.	mm	42.5
Outer diameter, actuated	mm	43
Fitting size	-	3/8"
Fitting option	-	None
Fitting style	-	Male
Fitting type	-	G-thread
Tightening torque, max.	Nm	13
Material	-	Composite
Suction cup model	-	B-BL40-2 FCM, detectable
Movement, vertical max.	mm	27.9
Curve radius, min.	mm	15.8

Performance - Lifting forces

B-BL40-2 FCM, detectable	Vertical (N)	Parallel (N)
10 -kPa	8.4	4.2
20 -kPa	15.3	9
40 -kPa	25.7	19.4

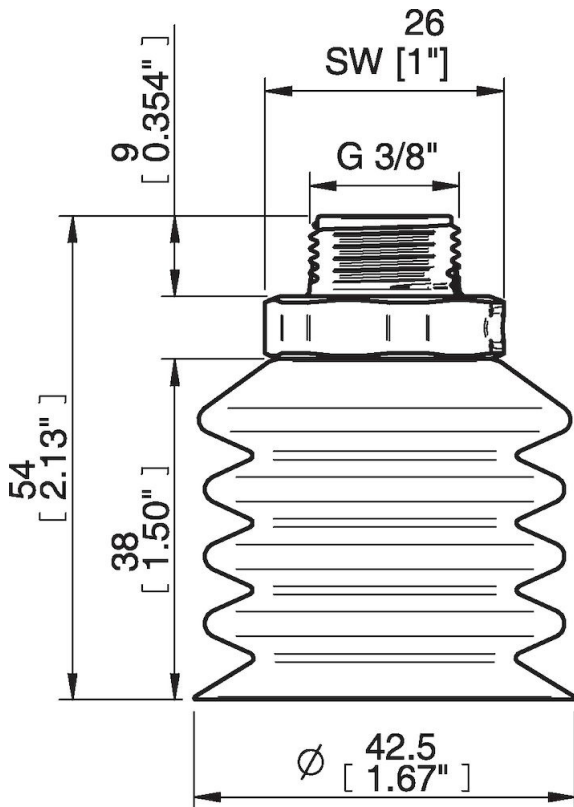
Material

Name	Silicone (SIL detectable FCM)
Colour	Blue
Temperature, min. °C	-40
Temperature max. °C	200
Hardness °Shore A	40

Material resistance

Alcohol	Good
Concentrated acids	Poor
Ethanol	n/a
Hydrolysis	Fair
Methanol	n/a
Oil	Poor
Oxidation	Excellent
Petrol	Poor
Wear resistance	Good
Weather and ozone	Excellent

Dimensional drawings



Values specified in this data sheet are tested at (unless otherwise stated):

- Room temperature (20°C [68°F] ± 3°C [5.5°F]).
- Standard atmosphere (101.3 [29.9 inHg] ± 1.0 kPa [0.3 inHg]).
- Relative humidity 20-70%.
- Compressed air quality, DIN ISO 8573-1 class 4.

Accessories

- 0121660 | Retainer clip \varnothing 9, composite, B-BL
- 0207181 | Fitting G3/8" Male, SS, B-BL
- 0207182 | Fitting 3/8" NPT Male, SS, B-BL
- 0207183 | Fitting G1/2" Male, SS, B-BL
- 0207184 | Fitting 1/2" NPT Male, SS, B-BL
- 0207190 | Fitting G3/8" Male, composite, B-BL
- 0207191 | Fitting 3/8" NPT Male, composite, B-BL
- 0207192 | Fitting G1/2" Male, composite, B-BL
- 0207193 | Fitting 1/2" NPT Male, composite, B-BL

Spare parts

- 0202850 | Suction cup B-BL40-2 Silicone, detectable, FCM

Spares parts
0207190 | Fitting G3/8" Male, composite, B-BL
0202850 | Suction cup B-BL40-2 Silicone, detectable, FCM
0207190 | Fitting G3/8" Male, composite, B-BL