

# Suction cup FC100P Polyurethane 40, 1/8" NPSF female, with mesh filter

Article number: 0103731



- Suitable for slightly domed and flat and oily surfaces, e.g., such as those encountered when handling steel sheets in press processes.
- Thanks to the high friction of the rubber material, the suction cups can withstand high forces at rapid accelerations in horizontal directions, even on oily surfaces.
- The suction cups have cleats that prevent thin objects from being disfigured.
- DURAFLEX® suction cups manufactured in a specially developed material that features the elasticity of rubber and wear resistance of polyurethane. The material does not leave any marks on the objects handled.

## Technical data

Description	Unit	Value
Suction cup shape	-	Flat Concave
Application	-	Dry sheet metal, Mark Free
Suction cup design	-	Round
Characteristics	-	Dry sheet metal, Mark free
Material	-	Polyurethane (PU)
Weight, min.	g	64
Suction cup model	-	FC
Volume	cm <sup>3</sup>	80
Height	mm	40
Outer diameter, min.	mm	100
Fitting size	-	1/8"
Fitting option	-	Filter mesh
Fitting style	-	Female
Fitting type	-	NPSF-thread
Suction cup model	-	FC100P PU40
Movement, vertical max.	mm	10.2
Curve radius, min.	mm	110

## Performance - Lifting forces

FC100P PU40	Vertical (N)	Parallel (N)
20 -kPa	137	176
60 -kPa	284	318
90 -kPa	377	420

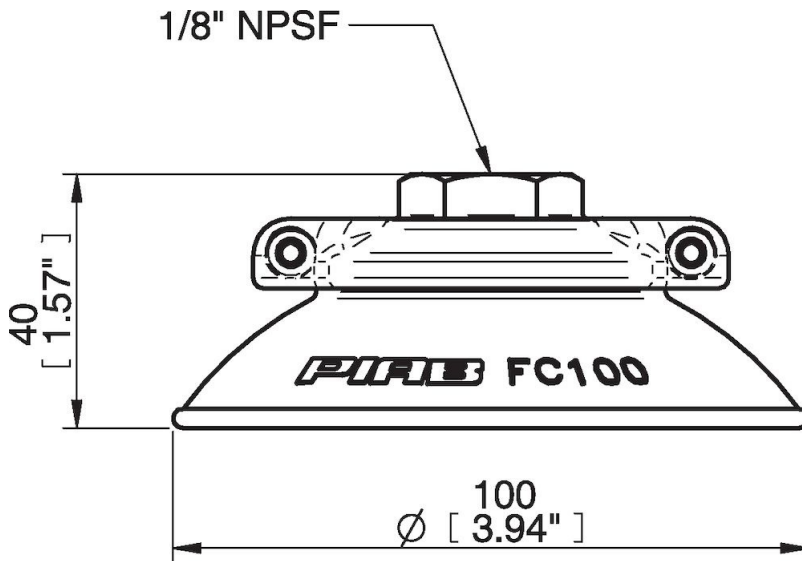
## Material

Name	Polyurethane (PU40)
Colour	Red transparent
Temperature, min.   °C	10
Temperature max.   °C	50
Hardness   °Shore A	40

## Material resistance

Alcohol	n/a
Concentrated acids	Fair
Ethanol	Fair
Hydrolysis	Fair
Methanol	Poor
Oil	Excellent
Oxidation	Poor
Petrol	Fair
Wear resistance	Excellent
Weather and ozone	Excellent

## Dimensional drawings



## Values specified in this data sheet are tested at (unless otherwise stated):

- Room temperature (20°C [68°F] ± 3°C [5.5°F]).
- Standard atmosphere (101.3 [29.9 inHg] ± 1.0 kPa [0.3 inHg]).
- Relative humidity 20-70%.
- Compressed air quality, DIN ISO 8573-1 class 4.

## Accessories

- 0100551 | Fitting 75, G3/8" female, with mesh filter
- 0100553 | Fitting 75, 3/8" NPSF female, with mesh filter
- 0100555 | Fitting 75, G1/2" female, with mesh filter
- 0103299 | Suction cup FC100P Polyurethane 60
- 0106835 | Suction cup FC100P Polyurethane 40, for tread insert
- 0107148 | Thread insert G3/8" male, with O-ring and mesh filter
- 0107304 | Suction cup FC100P Polyurethane 60, for tread insert

## Spare parts

- 0100548 | Fitting 75, 1/8" NPSF female, with mesh filter
- 0103297 | Suction cup FC100P Polyurethane 40