

Suction cup P-D36 Silicone 1/4" NPT male composite, detectable, FCM

Article number: 0207035



- The silicone material complies with FDA 21 CFR 177.2600 and EU 1935/2004.
- Long lasting high-end silicone material
- A low percentage metal additive (Fe) is mixed with the rubber material to make it detectable.
- Suitable for pralines, such as chocolates
- Available with male threaded food grade, detectable plastic fittings or acid proof stainless steel fittings.
- Easy to clean with hygienic design. No dust/dirt pockets.

Technical data

Description	Unit	Value
Suction cup shape	-	Deep
Application	-	Food contact materials (FDA & EU), detectable
Suction cup design	-	Round
Characteristics	-	Food contact materials (FDA & EU), detectable
Material	-	Silicone (SIL)
Load, torque, max.	Nm	13
Weight, min.	g	13.7
Suction cup model	-	P-D
Volume	cm ³	15
Height	mm	46.3
Outer diameter, min.	mm	35.8
Fitting size	-	1/4"
Fitting option	-	None
Fitting style	-	Male
Fitting type	-	NPT-thread
Tightening torque, max.	Nm	13
Material	-	Composite
Suction cup model	-	P-D36 Dry metal sheet
Curve radius, min.	mm	37

Performance - Lifting forces

P-D36 Dry metal sheet	Vertical (N)	Parallel (N)
10 -kPa	4.5	12.2
20 -kPa	8.6	16.8
40 -kPa	19	28.3

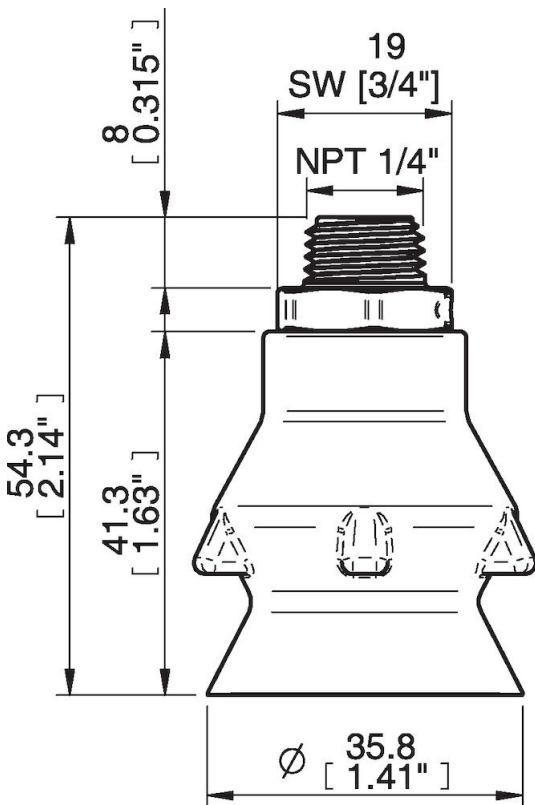
Material

Name	Silicone (SIL detectable FCM)
Colour	Blue
Temperature, min. °C	-40
Temperature max. °C	200
Hardness °Shore A	40

Material resistance

Alcohol	Good
Concentrated acids	Poor
Ethanol	n/a
Hydrolysis	Fair
Methanol	n/a
Oil	Poor
Oxidation	Excellent
Petrol	Poor
Wear resistance	Good
Weather and ozone	Excellent

Dimensional drawings



Values specified in this data sheet are tested at (unless otherwise stated):

- Room temperature (20°C [68°F] ± 3°C [5.5°F]).
- Standard atmosphere (101.3 [29.9 inHg] ± 1.0 kPa [0.3 inHg]).
- Relative humidity 20-70%.
- Compressed air quality, DIN ISO 8573-1 class 4.

Accessories

- 0207147 | Fitting G1/4" Male, SS, F-BX25-50 P-D36
- 0207148 | Fitting 1/4"NPT Male, SS, F-BX25-50 P-D36
- 0207149 | Fitting G3/8" Male, SS, F-BX25-50 P-D36
- 0207150 | Fitting 3/8"NPT Male, SS, F-BX25-50 P-D36
- 0207151 | Fitting G1/4" Male, composite, F-BX25-50 P-D36
- 0207152 | Fitting 1/4"NPT Male, composite, F-BX25-50 P-D36
- 0207153 | Fitting G3/8" Male, composite, F-BX25-50 P-D36
- 0207154 | Fitting 3/8"NPT Male, composite, F-BX25-50 P-D36

Spare parts

- 0206372 | Suction cup P-D36 Silicone detectable, FCM
- 0207152 | Fitting 1/4"NPT Male, composite, F-BX25-50 P-D36