

Suction cup B75P Polyurethane 30/60, G3/8" female, with mesh filter

Article number: 0106346



- Suitable for level adjustment and for uneven and porous surfaces such as cardboard, etc.
- In the two-coloured suction cup the bellows and the sealing lip are of different hardnesses, which makes the suction cup strong and stable and, at the same time, soft and flexible.
- DURAFLEX® suction cups manufactured in a specially developed material that features the elasticity of rubber and wear resistance of polyurethane.
- The material of the DURAFLEX® is mark free.

Technical data

Description	Unit	Value
Suction cup shape	-	Bellows
Application	-	Dry sheet metal, Plastic injection molded parts, Mark Free
Suction cup design	-	Round
Characteristics	-	Dry sheet metal, Plastic injection molded parts, Mark free
Material	-	Polyurethane (PU)
Weight, min.	g	130
Suction cup model	-	B-P
Volume	cm ³	110
Height	mm	50.3
Outer diameter, min.	mm	76.7
Outer diameter, actuated	mm	86.3
Fitting size	-	3/8"
Fitting option	-	Filter mesh
Fitting style	-	Female
Fitting type	-	G-thread
Suction cup model	-	B75P PU30 PU60
Movement, vertical max.	mm	22.8
Curve radius, min.	mm	90

Performance - Lifting forces

B75P PU30 PU60	Vertical (N)	Parallel (N)
20 -kPa	61	44
60 -kPa	149	96
90 -kPa	202	114

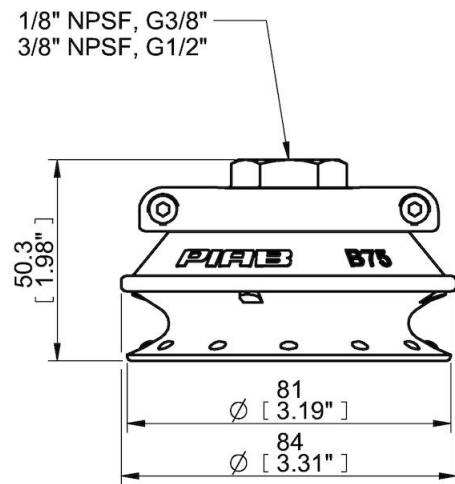
Material

Name	Polyurethane (PU30)	Polyurethane (PU60)
Colour	Yellow	Green transparent
Temperature, min. °C	10	10
Temperature max. °C	50	50
Hardness °Shore A	30	60

Material resistance

Alcohol	n/a	n/a
Concentrated acids	Fair	Fair
Ethanol	Fair	Fair
Hydrolysis	Fair	Fair
Methanol	Poor	Poor
Oil	Excellent	Excellent
Oxidation	Poor	Poor
Petrol	Fair	Fair
Wear resistance	Excellent	Excellent
Weather and ozone	Excellent	Excellent

Dimensional drawings



Values specified in this data sheet are tested at (unless otherwise stated):

- Room temperature (20°C [68°F] ± 3°C [5.5°F]).
- Standard atmosphere (101.3 [29.9 inHg] ± 1.0 kPa [0.3 inHg]).
- Relative humidity 20-70%.
- Compressed air quality, DIN ISO 8573-1 class 4.

Accessories

- 0100548 | Fitting 75, 1/8" NPSF female, with mesh filter
- 0100553 | Fitting 75, 3/8" NPSF female, with mesh filter
- 0100555 | Fitting 75, G1/2" female, with mesh filter
- 0106832 | Suction cup B75P Polyurethane 30/60, for thread insert
- 0107148 | Thread insert G3/8" male, with O-ring and mesh filter
- 0107318 | Suction cup B75P Polyurethane 60, for thread insert
- 0111594 | Suction cup B75P Polyurethane 60

Spare parts

- 0100551 | Fitting 75, G3/8" female, with mesh filter
- 0104723 | Suction cup B75P Polyurethane 30/60