

Suction cup B50 Silicone FCM, 1/8" NPSF female, with mesh filter

Article number: 9909709



- The silicone material complies with FDA 21 CFR 177.2600 & EU 1935/2004.
- Suitable for level adjustment. Several short bellows in one lifting device can handle objects with height differences and varying shapes, for example embossed or corrugated plates.
- The lifting movement can be used to separate small and thin objects.
- Only lightweight objects should be handled when the lifting force is parallel to the surface of the object, in order to achieve good precision and safe lifting movement.

Technical data

Description	Unit	Value
Suction cup shape	-	Bellows
Application	-	Food contact materials (FDA & EU), non-detectable
Suction cup design	-	Round
Characteristics	-	Food contact materials (FDA & EU), non-detectable
Material	-	Silicone (SIL)
Weight, min.	g	20
Suction cup model	-	B
Volume	cm ³	32
Height	mm	44.3
Outer diameter, min.	mm	53.7
Outer diameter, actuated	mm	60
Fitting size	-	1/8"
Fitting option	-	Filter mesh
Fitting style	-	Female
Fitting type	-	NPSF-thread
Suction cup model	-	B50
Movement, vertical max.	mm	18.2
Curve radius, min.	mm	30

Performance - Lifting forces

B50	Vertical (N)	Parallel (N)
20 -kPa	33	24.2
60 -kPa	65	51.2
90 -kPa	82	60.8

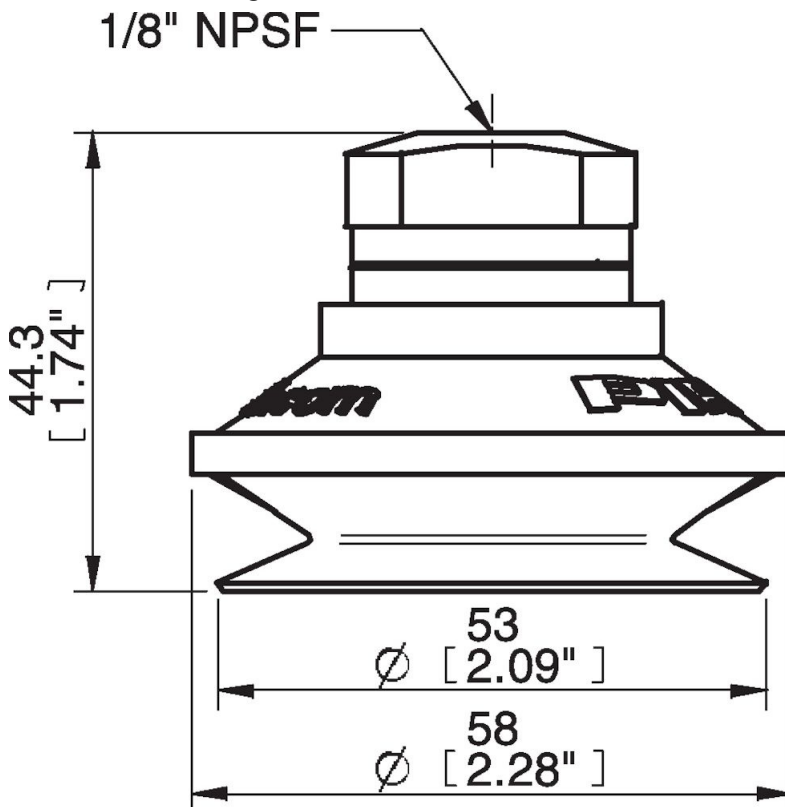
Material

Name	Silicone (SIL FDA) 50° Shore
Colour	Transparent
Temperature, min. °C	-40
Temperature max. °C	200
Hardness °Shore A	50

Material resistance

Alcohol	Good
Concentrated acids	Poor
Ethanol	n/a
Hydrolysis	Fair
Methanol	n/a
Oil	Poor
Oxidation	Excellent
Petrol	Poor
Wear resistance	Good
Weather and ozone	Excellent

Dimensional drawings



Values specified in this data sheet are tested at (unless otherwise stated):

- Room temperature (20°C [68°F] ± 3°C [5.5°F]).
- Standard atmosphere (101.3 [29.9 inHg] ± 1.0 kPa [0.3 inHg]).
- Relative humidity 20-70%.
- Compressed air quality, DIN ISO 8573-1 class 4.

Accessories

- 3250092 | Fitting G1/4" male, 50, with mesh filter
- 3250094 | Fitting 1/4" NPT male, with mesh filter

Spare parts

- 0101154 | Fitting 1/8" NPSF female, 50, with mesh filter
- 0200409 | Suction cup B50 Silicone FCM