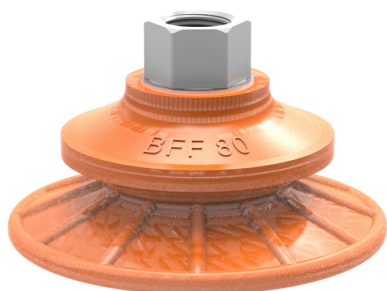


# Suction cup BFF80P Polyurethane 55/60 G3/8" female plastic thread

Article number: 0207256



- Special designed friction cups for oily surfaces, such as sheets in metal forming processes.
- Normal wear on friction cup will not affect the long term shear force performance.
- Best choice if > 0.1g/m2 press oil is used on the sheet.
- Thanks to the strong grip on oily surfaces, the suction cups can withstand high shear forces, typically 2–4 times more than corresponding conventional suction cups.
- The "BFF" design is suitable for uneven/curved surfaces or if level compensation is needed, for example in de-stacking applications.
- The flat inner support gives stability during movement in any orientation.
- DURAFLEX® suction cups manufactured in a specially developed material that features the elasticity of rubber and wear resistance of polyurethane. The material does not leave any marks on the objects handled.

## Technical data

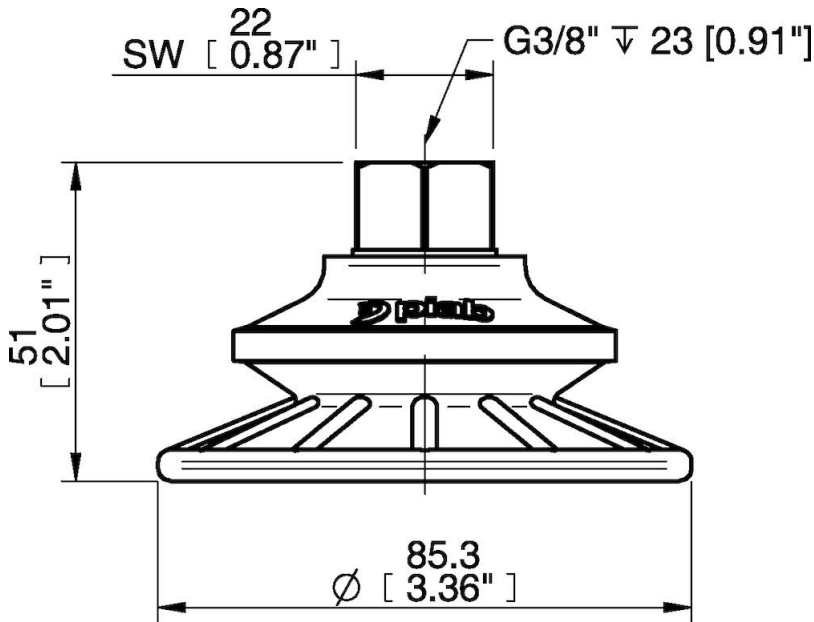
| Description              | Unit | Value                   |
|--------------------------|------|-------------------------|
| Suction cup shape        | -    | Bellows                 |
| Application              | -    | Oily sheet metal        |
| Suction cup design       | -    | Round                   |
| Characteristics          | -    | Oily sheet metal        |
| Material                 | -    | Polyurethane (PU)       |
| Weight, min.             | g    | 73.8                    |
| Suction cup model        | -    | BFF                     |
| Height                   | mm   | 51                      |
| Outer diameter, min.     | mm   | 85.3                    |
| Outer diameter, actuated | mm   | 86.7                    |
| Fitting size             | -    | 3/8"                    |
| Fitting option           | -    | None                    |
| Fitting style            | -    | Female                  |
| Fitting type             | -    | G-thread                |
| Material                 | -    | PA                      |
| Suction cup model        | -    | BFF80P Dry metal sheet  |
| Movement, vertical max.  | mm   | 14                      |
| Curve radius, min.       | mm   | 50                      |
| Suction cup model        | -    | BFF80P Oily steel plate |
| Movement, vertical max.  | mm   | 14                      |
| Curve radius, min.       | mm   | 50                      |

## Performance - Lifting forces

|                         | Vertical (N) | Parallel (N) |
|-------------------------|--------------|--------------|
| BFF80P Dry metal sheet  |              |              |
| 60 -kPa                 | 176          | 201          |
| 90 -kPa                 | 236          | 240          |
| BFF80P Oily steel plate |              |              |
| 60 -kPa                 | 174          | 110          |
| 90 -kPa                 | 207          | 160          |

| <b>Material</b>            |                     |                     |
|----------------------------|---------------------|---------------------|
| Name                       | Polyurethane (PU55) | Polyurethane (PU60) |
| Colour                     | Orange              | Orange              |
| Temperature, min.   °C     | 10                  | 10                  |
| Temperature max.   °C      | 50                  | 50                  |
| Hardness   °Shore A        | 55                  | 60                  |
| <b>Material resistance</b> |                     |                     |
| Alcohol                    | n/a                 | n/a                 |
| Concentrated acids         | Fair                | Fair                |
| Ethanol                    | Fair                | Fair                |
| Hydrolysis                 | Fair                | Fair                |
| Methanol                   | Poor                | Poor                |
| Oil                        | Excellent           | Excellent           |
| Oxidation                  | Poor                | Poor                |
| Petrol                     | Fair                | Fair                |
| Wear resistance            | Excellent           | Excellent           |
| Weather and ozone          | Excellent           | Excellent           |

**Dimensional drawings**



**Values specified in this data sheet are tested at (unless otherwise stated):**

- Room temperature (20°C [68°F] ± 3°C [5.5°F]).
- Standard atmosphere (101.3 [29.9 inHg] ± 1.0 kPa [0.3 inHg]).
- Relative humidity 20-70%.
- Compressed air quality, DIN ISO 8573-1 class 4.