

# Suction cup BF110P Polyurethane 60, thread insert G3/8" male with mesh filter

Article number: 0110287



- Suitable for uneven surfaces.
- In the two-coloured suction cup the bellows and the sealing lip are of different hardnesses, which makes the suction cup strong and stable and, at the same time, soft and flexible.
- DURAFLEX® suction cups manufactured in a specially developed material that features the elasticity of rubber and wear resistance of polyurethane.
- The material of the DURAFLEX® is mark free.

## Technical data

Description	Unit	Value
Suction cup shape	-	Bellows
Application	-	Dry sheet metal, Glass handling, Mark Free
Suction cup design	-	Round
Characteristics	-	Dry sheet metal, Glass handling, Mark free
Material	-	Polyurethane (PU)
Weight, min.	g	110
Suction cup model	-	BF-P
Volume	cm <sup>3</sup>	110
Height	mm	63
Outer diameter, min.	mm	115.5
Outer diameter, actuated	mm	88.7
Fitting size	-	3/8"
Fitting option	-	Filter mesh
Fitting style	-	Male
Fitting type	-	G-thread
Suction cup model	-	BF110P PU60
Movement, vertical max.	mm	27.4
Curve radius, min.	mm	70

## Performance - Lifting forces

BF110P PU60	Vertical (N)	Parallel (N)
20 -kPa	161	123
60 -kPa	334	231
90 -kPa	293	305

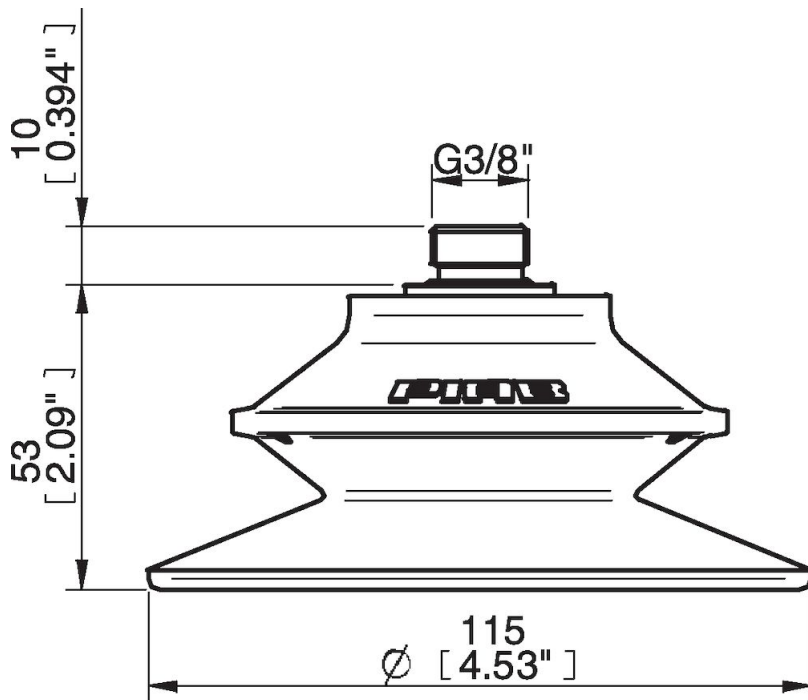
## Material

Name	Polyurethane (PU60)
Colour	Green transparent
Temperature, min.   °C	10
Temperature max.   °C	50
Hardness   °Shore A	60

## Material resistance

Alcohol	n/a
Concentrated acids	Fair
Ethanol	Fair
Hydrolysis	Fair
Methanol	Poor
Oil	Excellent
Oxidation	Poor
Petrol	Fair
Wear resistance	Excellent
Weather and ozone	Excellent

## Dimensional drawings



Values specified in this data sheet are tested at (unless otherwise stated):

- Room temperature (20°C [68°F] ± 3°C [5.5°F]).
- Standard atmosphere (101.3 [29.9 inHg] ± 1.0 kPa [0.3 inHg]).
- Relative humidity 20-70%.
- Compressed air quality, DIN ISO 8573-1 class 4.

## Spare parts

- 0107148 | Thread insert G3/8" male, with O-ring and mesh filter
- 0110286 | Suction cup BF110P Polyurethane 60, with O-ring