

# Suction cup VL30BL

Article number: 0202119



- Suitable for level adjustment
- Lifting movement to separate small and thin objects
- Less suitable when the lifting force is parallel to the surface of the object
- Volume discounts available for big packs from 30-99 pieces with an even larger discount for big packs of 100 pieces and above
- PVC-free recycable material

## Technical data

Description	Unit	Value
Suction cup shape	-	Multibellows
Suction cup design	-	Round
Material	-	TPE
Suction cup model	-	BL
Height (B)	mm	37.1
Height 2 (D)	mm	9
Inner diameter (C)	mm	6
Outer diameter, min. (A)	mm	30
Fitting size	-	None
Fitting option	-	None
Fitting style	-	None
Fitting type	-	None
Suction cup model	-	VL30BL TPE-U

## Performance - Lifting forces

VL30BL TPE-U	Vertical (N)	Parallel (N)
50 -kPa	15 N	

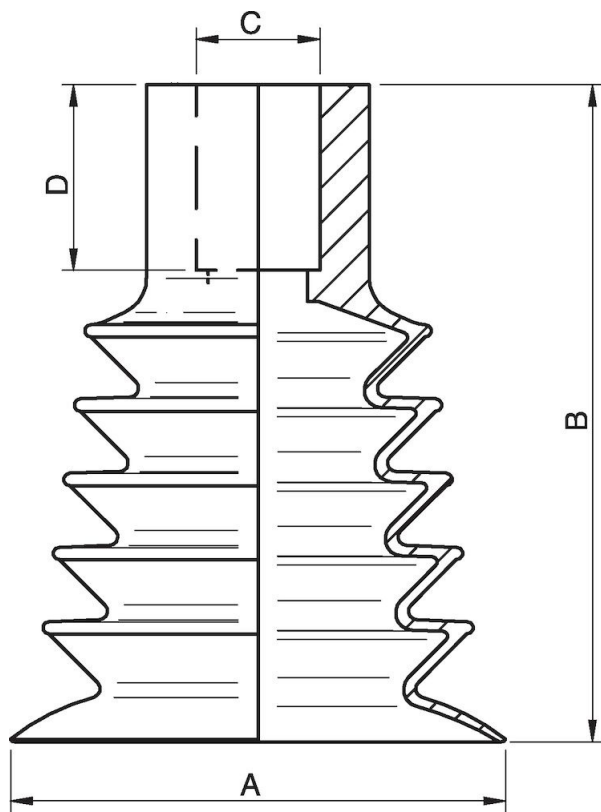
## Material

Name	TPE-U
Colour	Purple
Temperature, min.   °C	0
Temperature max.   °C	60
Hardness   °Shore A	65

## Material resistance

Alcohol	n/a
Concentrated acids	n/a
Ethanol	n/a
Hydrolysis	n/a
Methanol	n/a
Oil	n/a
Oxidation	n/a
Petrol	n/a
Wear resistance	n/a
Weather and ozone	n/a

## Dimensional drawings



**Values specified in this data sheet are tested at (unless otherwise stated):**

- Room temperature ( $20^{\circ}\text{C}$  [ $68^{\circ}\text{F}$ ]  $\pm 3^{\circ}\text{C}$  [ $5.5^{\circ}\text{F}$ ]).
- Standard atmosphere ( $101.3$  [ $29.9$  inHg]  $\pm 1.0$  kPa [ $0.3$  inHg]).
- Relative humidity 20-70%.
- Compressed air quality, DIN ISO 8573-1 class 4.

## Accessories

0202156 | Fitting VL  $D=\varnothing 6$ , G1/8" - M5

0202157 | Fitting VL  $D=\varnothing 6$ , G1/4" - G1/8"

0202160 | Fitting VL  $D=\varnothing 6$ , 1/8" NPT - M5

0202161 | Fitting VL  $D=\varnothing 6$ , 1/4" NPT - 1/8" NPSF