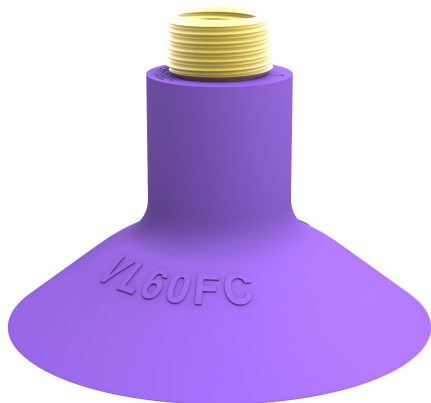


Suction cup VL60FC, G3/8"-G1/4"

Article number: 0202739



- Suitable for flat or slightly corrugated or curved surfaces
- Good stability and little inherent movement
- Recommended when the lifting force is parallel to the surface of the object
- Cleats prevent thin, sensitive objects from being deformed and gives extra friction when the lifting force is parallel
- Volume discounts available for big packs from 30-99 pieces with an even larger discount for big packs of 100 pieces and above
- PVC-free recyclable material

Technical data

| Description | Unit | Value |
|--------------------------|------|--------------|
| Suction cup shape | - | Flat Concave |
| Suction cup design | - | Round |
| Material | - | TPE |
| Suction cup model | - | FC |
| Height (B) | mm | 35.5 |
| Height 2 (D) | mm | 18 |
| Inner diameter (C) | mm | 12 |
| Outer diameter, min. (A) | mm | 60 |
| Fitting size | - | 3/8", 1/4" |
| Fitting option | - | None |
| Fitting style | - | Female/Male |
| Fitting type | - | G-thread |
| Suction cup model | - | VL60FC TPE-U |

Performance - Lifting forces

| VL60FC TPE-U | Vertical (N) | Parallel (N) |
|--------------|--------------|--------------|
| 50 -kPa | 79 N | |

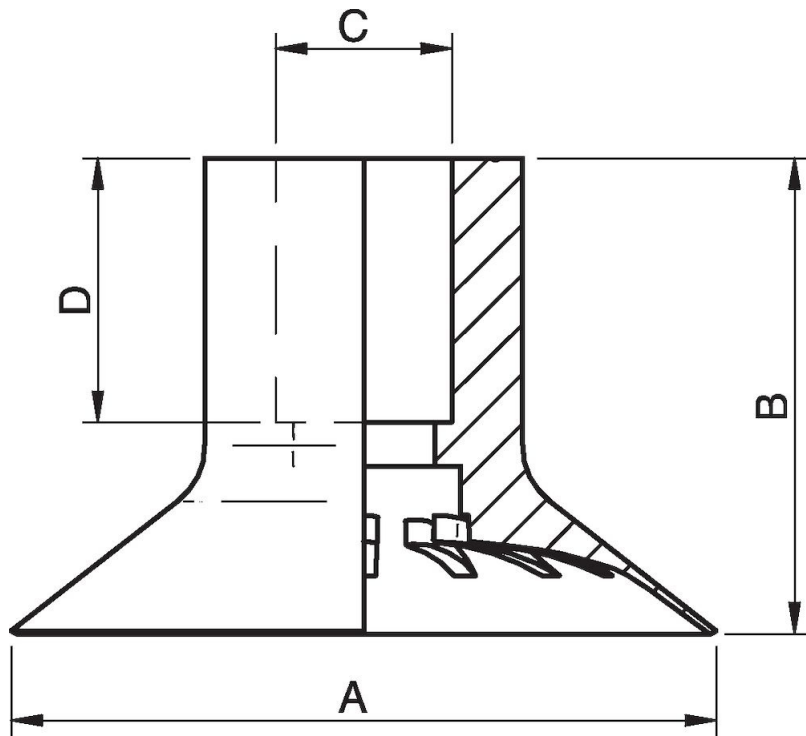
Material

| | |
|------------------------|--------|
| Name | TPE-U |
| Colour | Purple |
| Temperature, min. °C | 0 |
| Temperature max. °C | 60 |
| Hardness °Shore A | 65 |

Material resistance

| | |
|--------------------|-----|
| Alcohol | n/a |
| Concentrated acids | n/a |
| Ethanol | n/a |
| Hydrolysis | n/a |
| Methanol | n/a |
| Oil | n/a |
| Oxidation | n/a |
| Petrol | n/a |
| Wear resistance | n/a |
| Weather and ozone | n/a |

Dimensional drawings



Values specified in this data sheet are tested at (unless otherwise stated):

- Room temperature (20°C [68°F] ± 3°C [5.5°F]).
- Standard atmosphere (101.3 [29.9 inHg] ± 1.0 kPa [0.3 inHg]).
- Relative humidity 20-70%.
- Compressed air quality, DIN ISO 8573-1 class 4.

Accessories

- 0202159 | Fitting VL D=Ø12, G1/4" - G1/8"
- 0202163 | Fitting VL D=Ø12, 1/4"NPT - 1/8"NPSF
- 0202167 | Fitting VL D=Ø12, 3/8" NPT - 1/4" NPSF

Spare parts

- 0202102 | Suction cup VL60FC
- 0202165 | Fitting VL D=Ø12, G3/8" - G1/4"