

# Vacuum pump MAXI MLL400, NBR sealings, ES

Article number: 0100742



- Largest compressed-air driven pump in the market
- Energy-saving (ES) available

## Technical data

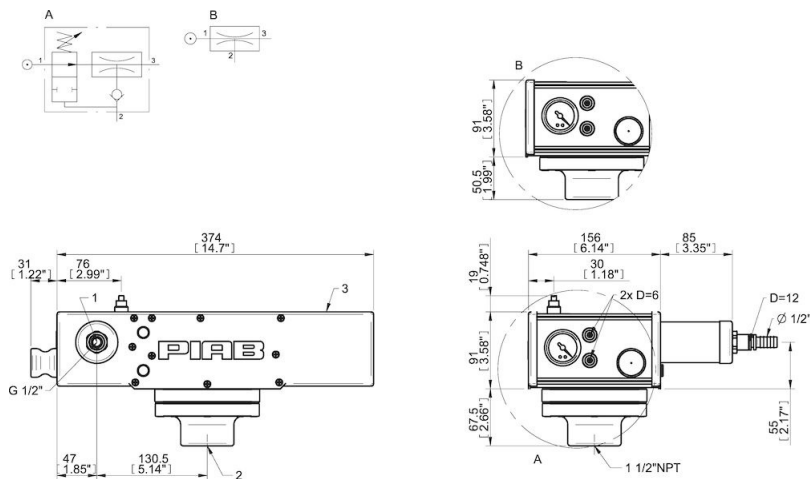
Description	Unit	Value
Material	-	Al, PPS, Nitrile (NBR), SS
Temperature, max.	°C	80
Temperature, min.	°C	-20
Weight, min.	g	5400
Feed pressure, max.	MPa	0.7
Noise level, max.	dBA	76
Noise level, min.	dBA	72

## Performance

Feed pressure MPa	Air consumption NI/s	Vacuum flow (NI/s) at different vacuum levels (-kPa)										Max vacuum kPa			
		0	10	20	30	40	50	60	70	75	80		90	95	99
0.6	28	92	52	35	18.4	9.2	6.4	4.6	2.2	0	0.92	0.02	0	0	≥91

Feed pressure MPa	Air consumption NI/s	Evacuation time (s/l) to reach different vacuum levels (-kPa)										Max vacuum kPa			
		10	20	30	40	50	60	70	80	90	95		99	99.5	100.3
0.6	28	0.0015	0.004	0.007	0.015	0.03	0.05	0.08	0.15	0.41	0	0	0	0	≥91

## Dimensional drawings



Values specified in this data sheet are tested at (unless otherwise stated):

- Room temperature (20°C [68°F] ± 3°C [5.5°F]).
- Standard atmosphere (101.3 [29.9 inHg] ± 1.0 kPa [0.3 inHg]).
- Compressed air quality, DIN ISO 8573-1 class 4.

## Spare parts

- 3101091 | Sealing kit MAXI MLL200–400, NBR
- 3101091E | Sealing kit MAXI MLL200–400, EPDM
- 3101091V | Sealing kit MAXI MLL200–400, Viton®