

Suction cup B50MF Thermoelastic polyurethane

Article number: 0101114



- Suction cup of TPU, a mark free material that leaves no trace on the object being handled.
- Suitable for level adjustment.
- Lifting movement to separate small and thin objects.
- Only lightweight objects should be handled when the lifting force is parallel to the surface.

Technical data

Description	Unit	Value
Suction cup shape	-	Bellows
Application	-	Mark Free
Suction cup design	-	Round
Characteristics	-	Mark free
Material	-	TPE
Weight, min.	g	19
Suction cup model	-	B-MF
Volume	cm ³	32
Height	mm	35
Outer diameter, min.	mm	55.1
Outer diameter, actuated	mm	61.1
Fitting size	-	None
Fitting option	-	None
Fitting style	-	None
Fitting type	-	None
Suction cup model	-	B50MF
Movement, vertical max.	mm	14.1
Curve radius, min.	mm	26

Performance - Lifting forces

B50MF	Vertical (N)	Parallel (N)
20 -kPa	30	23
60 -kPa	93	63
90 -kPa	136	97

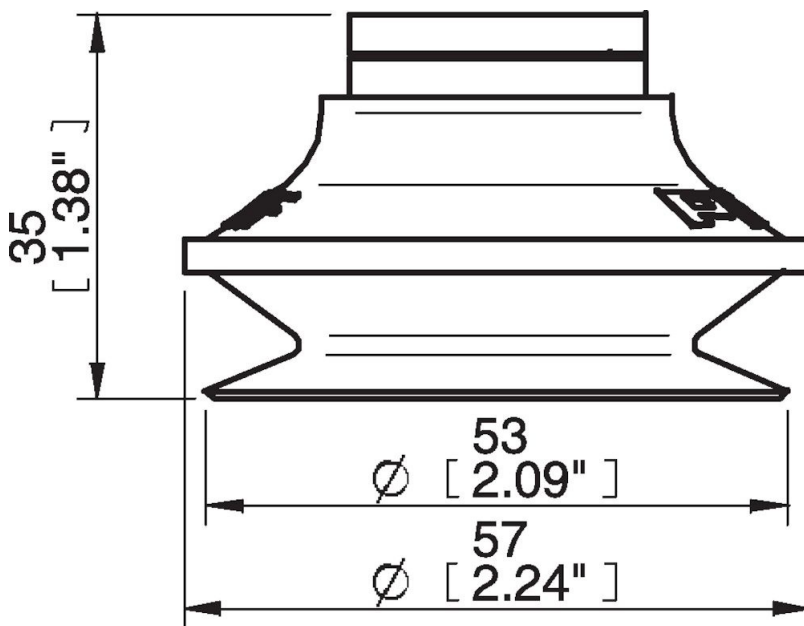
Material

Name	Thermoplastic Polyurethane (TPE-U)
Colour	White transparent
Temperature, min. °C	-20
Temperature max. °C	80
Hardness °Shore A	81

Material resistance

Alcohol	Good
Concentrated acids	Poor
Ethanol	n/a
Hydrolysis	Poor
Methanol	n/a
Oil	Excellent
Oxidation	Good
Petrol	Poor
Wear resistance	Excellent
Weather and ozone	Excellent

Dimensional drawings



Values specified in this data sheet are tested at (unless otherwise stated):

- Room temperature (20°C [68°F] ± 3°C [5.5°F]).
- Standard atmosphere (101.3 [29.9 inHg] ± 1.0 kPa [0.3 inHg]).
- Relative humidity 20-70%.
- Compressed air quality, DIN ISO 8573-1 class 4.

Accessories

- 0100262 | Fitting 5x1/8" NPSF female, 50
- 0101154 | Fitting 1/8" NPSF female, 50, with mesh filter
- 3250017 | Fitting 1/8" NPSF female, 50
- 3250087 | Fitting G3/8" male, 50, with mesh filter
- 3250090 | Fitting 3/8" NPT male, with mesh filter
- 3250092 | Fitting G1/4" male, 50, with mesh filter
- 3250094 | Fitting 1/4" NPT male, with mesh filter
- 3251012 | Fitting 1/8" NPSF female, 50, with dual flow control valve
- 3251013 | Fitting G1/4" male, with mesh filter and dual flow control valve
- 3251014 | Fitting 1/4" NPT male, with dual flow control valve
- 3251015 | Fitting G3/8" male, 50, with mesh filter and dual flow control valve
- 3251016 | Fitting 3/8" NPT male, with dual flow control valve
- 3251017 | Fitting 5x1/8" NPSF female, 50, with dual flow control valve