

Suction cup FC100P Polyurethane 60, G3/8" female, with mesh filter

Article number: 0103736



- Suitable for slightly domed and flat and oily surfaces, e.g., such as those encountered when handling steel sheets in press processes.
- Thanks to the high friction of the rubber material, the suction cups can withstand high forces at rapid accelerations in horizontal directions, even on oily surfaces.
- The suction cups have cleats that prevent thin objects from being disfigured.
- DURAFLEX® suction cups manufactured in a specially developed material that features the elasticity of rubber and wear resistance of polyurethane. The material does not leave any marks on the objects handled.

Technical data

Description	Unit	Value
Suction cup shape	-	Flat Concave
Application	-	Dry sheet metal, Mark Free
Suction cup design	-	Round
Characteristics	-	Dry sheet metal, Mark free
Material	-	Polyurethane (PU)
Weight, min.	g	64
Suction cup model	-	FC
Volume	cm ³	80
Height	mm	40
Outer diameter, min.	mm	100
Fitting size	-	3/8"
Fitting option	-	Filter mesh
Fitting style	-	Female
Fitting type	-	G-thread
Suction cup model	-	FC100P PU60
Movement, vertical max.	mm	10.2
Curve radius, min.	mm	110

Performance - Lifting forces

FC100P PU60	Vertical (N)	Parallel (N)
20 -kPa	152	112
60 -kPa	328	264
90 -kPa	446	382

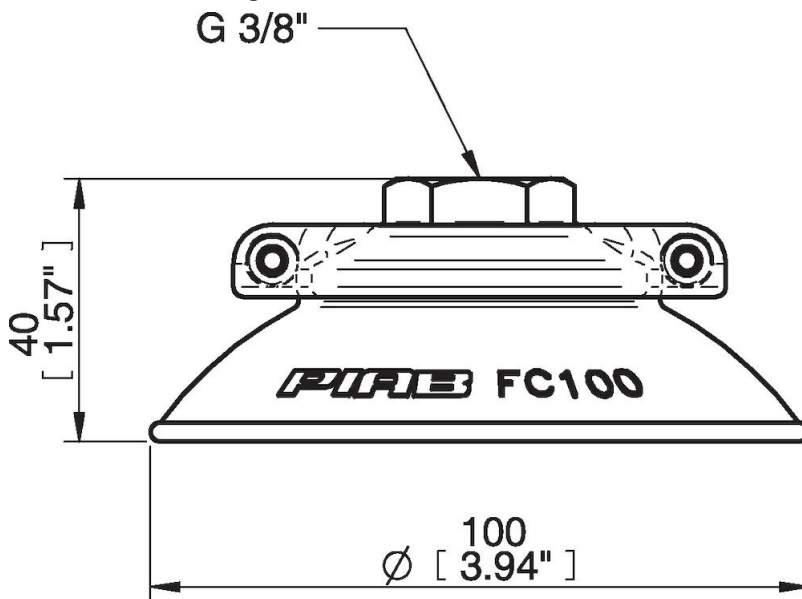
Material

Name	Polyurethane (PU60)
Colour	Green transparent
Temperature, min. °C	10
Temperature max. °C	50
Hardness °Shore A	60

Material resistance

Alcohol	n/a
Concentrated acids	Fair
Ethanol	Fair
Hydrolysis	Fair
Methanol	Poor
Oil	Excellent
Oxidation	Poor
Petrol	Fair
Wear resistance	Excellent
Weather and ozone	Excellent

Dimensional drawings



Values specified in this data sheet are tested at (unless otherwise stated):

- Room temperature (20°C [68°F] ± 3°C [5.5°F]).
- Standard atmosphere (101.3 [29.9 inHg] ± 1.0 kPa [0.3 inHg]).
- Relative humidity 20-70%.
- Compressed air quality, DIN ISO 8573-1 class 4.

Accessories

- 0100548 | Fitting 75, 1/8" NPSF female, with mesh filter
- 0100553 | Fitting 75, 3/8" NPSF female, with mesh filter
- 0100555 | Fitting 75, G1/2" female, with mesh filter
- 0103297 | Suction cup FC100P Polyurethane 40
- 0106835 | Suction cup FC100P Polyurethane 40, for tread insert
- 0107148 | Thread insert G3/8" male, with O-ring and mesh filter
- 0107304 | Suction cup FC100P Polyurethane 60, for tread insert

Spare parts

- 0100551 | Fitting 75, G3/8" female, with mesh filter
- 0103299 | Suction cup FC100P Polyurethane 60