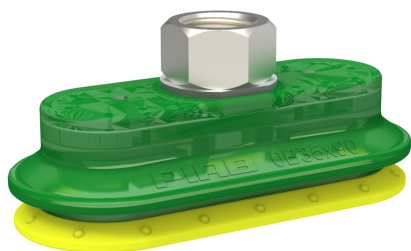


Suction cup OB35x90P Polyurethane 30/60, 3/8" NPSF female

Article number: 0109857



- Suitable for level adjustment. Can handle objects with height differences and varying shapes, for example embossed or corrugated plates.
- Lifting movement to separate small and thin objects.
- In the two coloured suction cup, the bellows and the sealing lip are of different hardnesses, which makes the suction cup strong and stable and, at the same time, soft and flexible.
- DURAFLEX® are suction cups manufactured in a specially developed material that features the elasticity of rubber and wear resistance of polyurethane. The material does not leave any marks on the objects handled.

Technical data

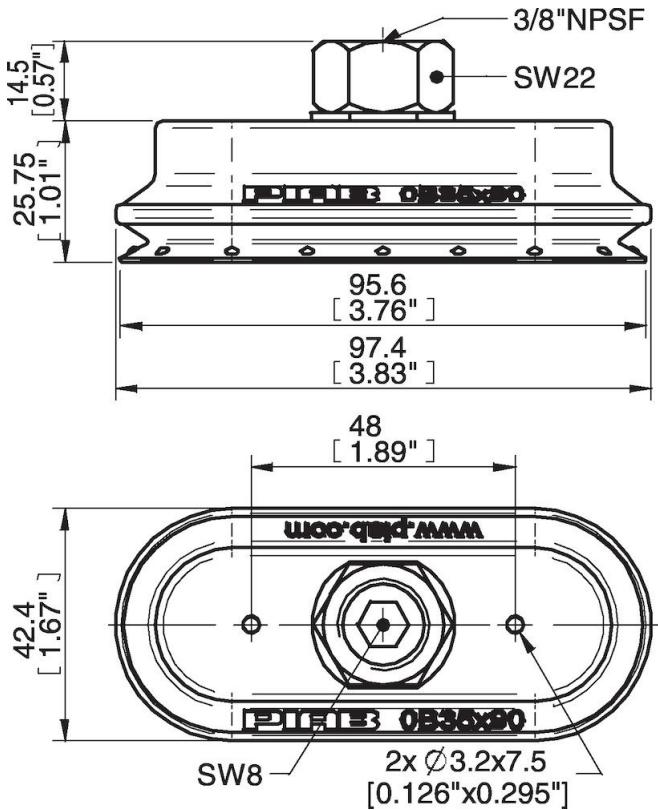
Description	Unit	Value
Suction cup shape	-	Bellows
Application	-	Corrugated / cardboard
Suction cup design	-	Oval
Characteristics	-	Corrugated / cardboard
Material	-	Polyurethane (PU)
Weight, min.	g	55
Suction cup model	-	OB
Volume	cm ³	38
Height	mm	40.25
Length	mm	95.6
Outer diameter, min.	mm	95.6
Fitting size	-	3/8"
Fitting option	-	None
Fitting style	-	Female
Fitting type	-	NPSF-thread
Width	mm	42.4
Suction cup model	-	OB35x90P PU30 PU60
Movement, vertical max.	mm	10.5
Curve radius, min.	mm	30

Performance - Lifting forces

OB35x90P PU30 PU60	Vertical (N)	Parallel (N)
20 -kPa	42	48
60 -kPa	119	73
90 -kPa	174	100

Material		
Name	Polyurethane (PU30)	Polyurethane (PU60)
Colour	Yellow	Green transparent
Temperature, min. °C	10	10
Temperature max. °C	50	50
Hardness °Shore A	30	60
Material resistance		
Alcohol	n/a	n/a
Concentrated acids	Fair	Fair
Ethanol	Fair	Fair
Hydrolysis	Fair	Fair
Methanol	Poor	Poor
Oil	Excellent	Excellent
Oxidation	Poor	Poor
Petrol	Fair	Fair
Wear resistance	Excellent	Excellent
Weather and ozone	Excellent	Excellent

Dimensional drawings



Values specified in this data sheet are tested at (unless otherwise stated):

- Room temperature (20°C [68°F] ± 3°C [5.5°F]).
- Standard atmosphere (101.3 [29.9 inHg] ± 1.0 kPa [0.3 inHg]).
- Relative humidity 20-70%.
- Compressed air quality, DIN ISO 8573-1 class 4.

Accessories

0109912 | Suction cup OB35x90P Polyurethane 60

Spare parts

0109913 | Suction cup OB35x90P Polyurethane 30/60