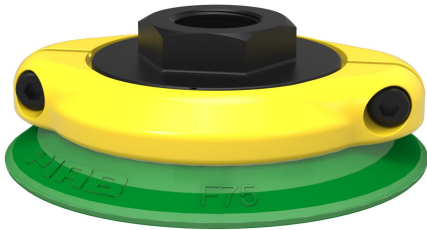


# Suction cup F75P Polyurethane 60, 3/8" NPSF female, with mesh filter

Article number: 0111587



- Suitable for flat and rough surfaces.
- Fair stability and little inherent movement.
- Recommended when the lifting force is parallel to the surface of the object.
- In the two-coloured suction cup the bellows and the sealing lip are of different hardnesses, which makes the suction cup strong and stable and, at the same time, soft and flexible.
- DURAFLEX® suction cups manufactured in a specially developed material that features the elasticity of rubber and wear resistance of polyurethane. The material does not leave any marks on the objects handled.

## Technical data

Description	Unit	Value
Suction cup shape	-	Flat
Application	-	Dry sheet metal, Mark Free
Suction cup design	-	Round
Characteristics	-	Dry sheet metal, Mark free
Material	-	Polyurethane (PU)
Weight, min.	g	53
Suction cup model	-	F
Volume	cm <sup>3</sup>	19
Height	mm	26
Outer diameter, min.	mm	77
Outer diameter, actuated	mm	80
Fitting size	-	3/8"
Fitting option	-	Filter mesh
Fitting style	-	Female
Fitting type	-	NPSF-thread
Suction cup model	-	F75P PU60
Movement, vertical max.	mm	2
Curve radius, min.	mm	150

## Performance - Lifting forces

F75P PU60	Vertical (N)	Parallel (N)
20 -kPa	82	47
60 -kPa	231	113
90 -kPa	330	169

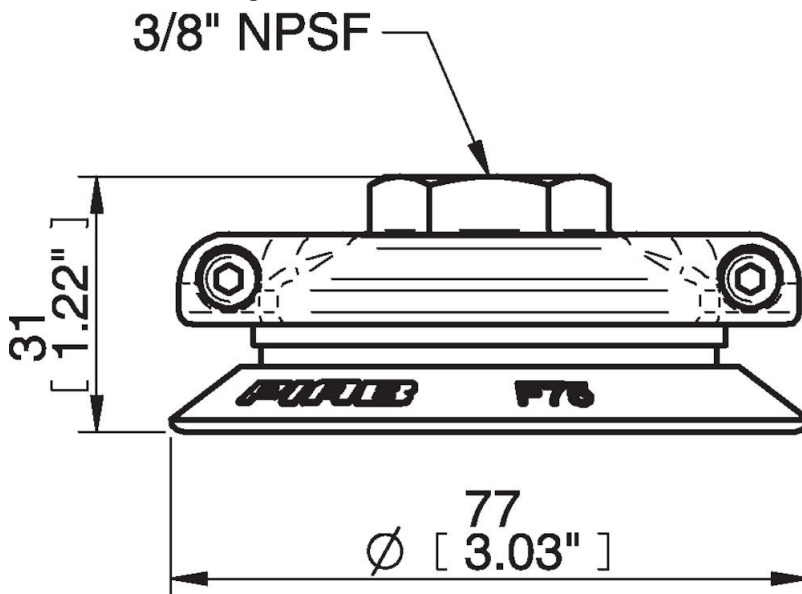
## Material

Name	Polyurethane (PU60)
Colour	Green transparent
Temperature, min.   °C	10
Temperature max.   °C	50
Hardness   °Shore A	60

## Material resistance

Alcohol	n/a
Concentrated acids	Fair
Ethanol	Fair
Hydrolysis	Fair
Methanol	Poor
Oil	Excellent
Oxidation	Poor
Petrol	Fair
Wear resistance	Excellent
Weather and ozone	Excellent

## Dimensional drawings



## Values specified in this data sheet are tested at (unless otherwise stated):

- Room temperature (20°C [68°F] ± 3°C [5.5°F]).
- Standard atmosphere (101.3 [29.9 inHg] ± 1.0 kPa [0.3 inHg]).
- Relative humidity 20-70%.
- Compressed air quality, DIN ISO 8573-1 class 4.

## Accessories

- 0100548 | Fitting 75, 1/8" NPSF female, with mesh filter
- 0100551 | Fitting 75, G3/8" female, with mesh filter
- 0100552 | Fitting 75, G3/8" female, with cone valve
- 0100555 | Fitting 75, G1/2" female, with mesh filter
- 0104724 | Suction cup F75P Polyurethane 30/60
- 0106829 | Suction cup F75P Polyurethane 30/60, for thread insert
- 0107148 | Thread insert G3/8" male, with O-ring and mesh filter
- 0107320 | Suction cup F75P Polyurethane 60, for thread insert

## Spare parts

- 0100553 | Fitting 75, 3/8" NPSF female, with mesh filter
- 0100729 | Cone Valve for Fitting 75
- 0111584 | Suction cup F75P Polyurethane 60