

# Suction cup U20-2P Polyurethane 40, 1/8" Male

Article number: 0205721



- Long life time suction cup
- Suitable for several book binding applications
- Easy to handle different paper qualities due to the possibilities to order the U20-2P in three different shore
- DURAFLEX® are suction cups manufactured in a specially developed material that features the elasticity of rubber and wear resistance of polyurethane.

## Technical data

Description	Unit	Value
Suction cup shape	-	Universal
Application	-	Bag opening/thin paper - slip sheets/film
Suction cup design	-	Round
Characteristics	-	Bag opening/thin paper - slip sheets/film
Material	-	Polyurethane (PU)
Weight, min.	g	4.2
Suction cup model	-	U-P
Volume	cm <sup>3</sup>	0.7
Height	mm	22.9
Outer diameter, min.	mm	20.5
Fitting option	-	None
Suction cup model	-	U20-2P PU40
Movement, vertical max.	mm	5
Curve radius, min.	mm	9

## Performance - Lifting forces

U20-2P PU40	Vertical (N)	Parallel (N)
20 -kPa	3	1.5
60 -kPa	10.5	3
90 -kPa	14	6

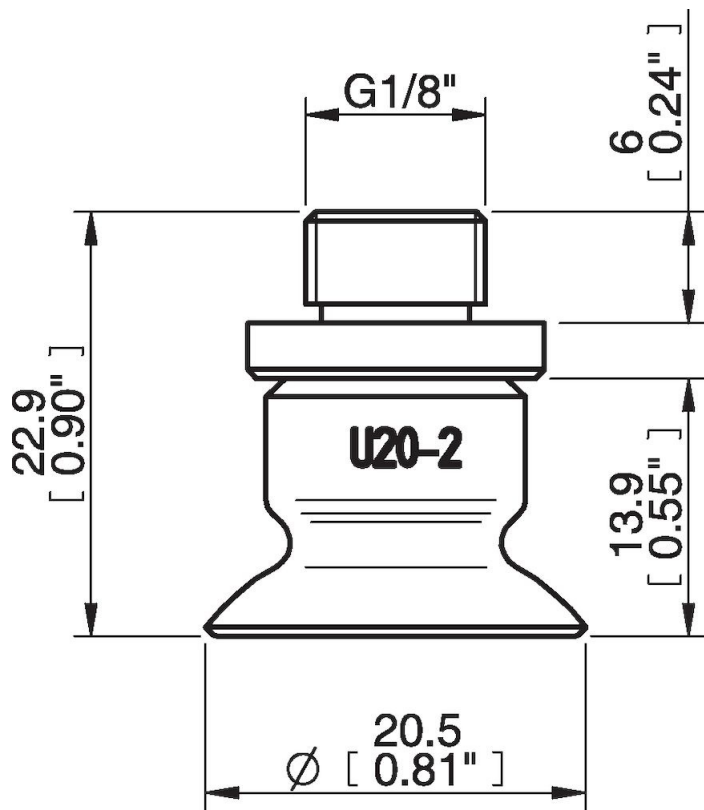
## Material

Name	Polyurethane (PU40)
Colour	Red transparent
Temperature, min.   °C	10
Temperature max.   °C	50
Hardness   °Shore A	40

## Material resistance

Alcohol	n/a
Concentrated acids	Fair
Ethanol	Fair
Hydrolysis	Fair
Methanol	Poor
Oil	Excellent
Oxidation	Poor
Petrol	Fair
Wear resistance	Excellent
Weather and ozone	Excellent

## Dimensional drawings



Values specified in this data sheet are tested at (unless otherwise stated):

- Room temperature (20°C [68°F] ± 3°C [5.5°F]).
- Standard atmosphere (101.3 [29.9 inHg] ± 1.0 kPa [0.3 inHg]).
- Relative humidity 20-70%.
- Compressed air quality, DIN ISO 8573-1 class 4.