

# Suction cup BL50-2 Chloroprene, 1/8" NPSF female, with dual flow control valve

Article number: 0101702



- Suitable for level adjustment.
- Lifting movement to separate small and thin objects.
- Less suitable when the lifting force is parallel to the surface of the object.

## Technical data

Description	Unit	Value
Suction cup shape	-	Multibellows
Application	-	Bag handling
Suction cup design	-	Round
Characteristics	-	Bag handling
Material	-	Chloroprene (CR)
Weight, min.	g	20
Suction cup model	-	BL-2
Volume	cm <sup>3</sup>	53
Leakage flow, max.	l/s	0.16
Height	mm	62
Outer diameter, min.	mm	50
Fitting size	-	1/8"
Fitting option	-	Dual flow control valve
Fitting style	-	Female
Fitting type	-	NPSF-thread
Valve restriction	mm	1
Suction cup model	-	BL50-2 reinforcement ring
Movement, vertical max.	mm	30
Suction cup model	-	BL50-2
Movement, vertical max.	mm	30
Curve radius, min.	mm	13

## Performance - Lifting forces

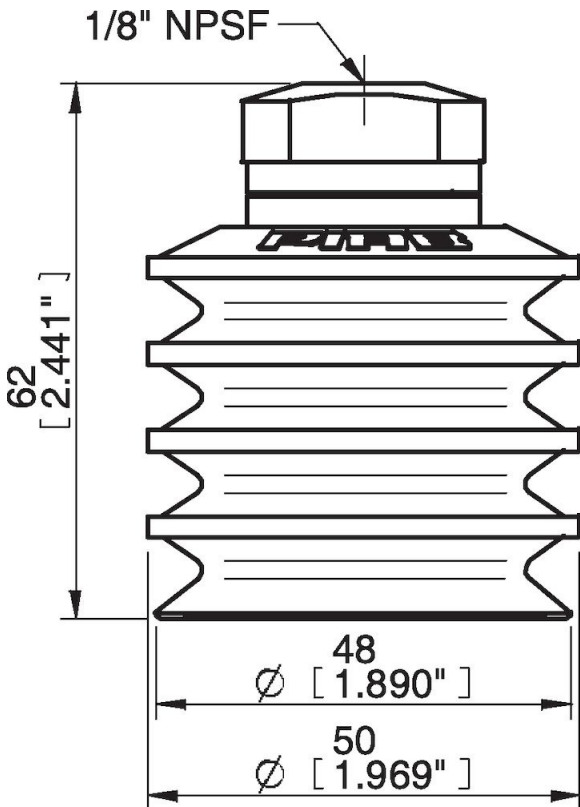
BL50-2 reinforcement ring	Vertical (N)	Parallel (N)
20 -kPa	17	
60 -kPa	43	
BL50-2		
20 -kPa	21	
60 -kPa	48	

**Material**

Name	Chloroprene (CR) 65° Shore A
Colour	Black
Temperature, min.   °C	-40
Temperature max.   °C	110
Hardness   °Shore A	65

**Material resistance**

Alcohol	Good
Concentrated acids	Poor
Ethanol	n/a
Hydrolysis	Good
Methanol	n/a
Oil	Fair
Oxidation	Good
Petrol	Fair
Wear resistance	Excellent
Weather and ozone	Good

**Dimensional drawings****Values specified in this data sheet are tested at (unless otherwise stated):**

- Room temperature (20°C [68°F] ± 3°C [5.5°F]).
- Standard atmosphere (101.3 [29.9 inHg] ± 1.0 kPa [0.3 inHg]).
- Relative humidity 20-70%.
- Compressed air quality, DIN ISO 8573-1 class 4.

**Accessories**

0100262 | Fitting 5x1/8" NPSF female, 50  
0101122 | Suction cup BL50-2 Silicone  
0101154 | Fitting 1/8" NPSF female, 50, with mesh filter  
0200715 | Fitting G1/8" male, 50, with mesh filter  
3150198 | Fitting 1/8" NPSF female, 50, PA  
3250017 | Fitting 1/8" NPSF female, 50  
3250087 | Fitting G3/8" male, 50, with mesh filter  
3250090 | Fitting 3/8" NPT male, with mesh filter  
3250092 | Fitting G1/4" male, 50, with mesh filter  
3250094 | Fitting 1/4" NPT male, with mesh filter  
3251013 | Fitting G1/4" male, with mesh filter and dual flow control valve  
3251014 | Fitting 1/4" NPT male, with dual flow control valve  
3251015 | Fitting G3/8" male, 50, with mesh filter and dual flow control valve  
3251016 | Fitting 3/8" NPT male, with dual flow control valve  
3251017 | Fitting 5x1/8" NPSF female, 50, with dual flow control valve  
3150074 | Reinforcement ring 50-2

**Spare parts**

0101121 | Suction cup BL50-2 Chloroprene  
3251012 | Fitting 1/8" NPSF female, 50, with dual flow control valve