

Suction cup B10-2 Chloroprene

Article number: 3150101



- Suitable for level adjustment.
- Lifting movement to separate small and thin objects.
- Only lightweight objects should be handled when the lifting force is parallel to the surface.

Technical data

Description	Unit	Value
Suction cup shape	-	Bellows
Application	-	Dry sheet metal, Plastic injection molded parts
Suction cup design	-	Round
Characteristics	-	Dry sheet metal, Plastic injection molded parts
Material	-	Chloroprene (CR) 60° Shore A
Weight, min.	g	1
Suction cup model	-	B
Volume	cm ³	0.48
Height	mm	16.4
Outer diameter, min.	mm	11
Outer diameter, actuated	mm	11.5
Fitting size	-	None
Fitting option	-	None
Fitting style	-	None
Fitting type	-	None
Suction cup model	-	B10-2
Movement, vertical max.	mm	4.5
Curve radius, min.	mm	4

Performance - Lifting forces

B10-2	Vertical (N)	Parallel (N)
20 -kPa	1.5	1.77
60 -kPa	3.4	2.41
90 -kPa	4.9	2.82

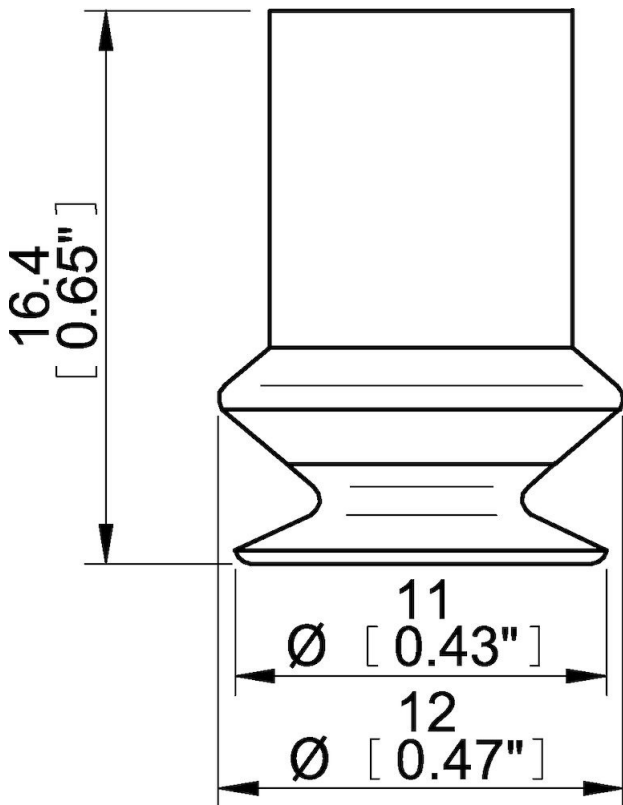
Material

Name	Chloroprene (CR) 60° Shore A
Colour	Black
Temperature, min. °C	-40
Temperature max. °C	110
Hardness °Shore A	60

Material resistance

Alcohol	Good
Concentrated acids	Poor
Ethanol	n/a
Hydrolysis	Good
Methanol	n/a
Oil	Fair
Oxidation	Good
Petrol	Fair
Wear resistance	Excellent
Weather and ozone	Good

Dimensional drawings



Values specified in this data sheet are tested at (unless otherwise stated):

- Room temperature (20°C [68°F] ± 3°C [5.5°F]).
- Standard atmosphere (101.3 [29.9 inHg] ± 1.0 kPa [0.3 inHg]).
- Relative humidity 20-70%.
- Compressed air quality, DIN ISO 8573-1 class 4.

Accessories

3107030 | Fitting M5 male, 10-15