

# Suction cup DCF40P Polyurethane 60, G3/8" female

Article number: 0210596



- Special designed friction cups for domed or flat oily surfaces, such as sheets in metal forming processes.
- Long lasting material, normal wear on friction cup will not affect the long term shear force performance.
- Best choice if > 0.1g/m<sup>2</sup> press oil is used on the sheet but also a great choice for dry metal sheets.
- Refined internal friction pattern provides additional grip performance, the suction cups can withstand high shear forces, typically 3–5 times more than corresponding conventional suction cups.
- Thin design that easily will follow convex or concave surfaces. The thin and pliable design in combination with a special inner friction pattern will maximize grip performance.
- DURAFLEX® is a material that features the elasticity of rubber and wear resistance of polyurethane. The material has a fantastic elastic memory, even after hundreds of thousand cycles.

## Technical data

Description	Unit	Value
Suction cup shape	-	Deep Concave
Application	-	Oily sheet metal
Suction cup design	-	Round
Characteristics	-	Oily sheet metal
Material	-	Polyurethane (PU)
Weight, min.	g	17.6
Suction cup model	-	DCF
Volume	cm <sup>3</sup>	3.7049
Height	mm	31.4
Height 2 (Actuated)	mm	25.3
Outer diameter, min.	mm	40
Outer diameter, actuated	mm	42
Fitting size	-	3/8"
Fitting style	-	Female
Fitting type	-	G-thread
Material	-	Al
Suction cup model	-	DCF40 Dry metal sheet
Movement, vertical max.	mm	6.1
Curve radius, min.	mm	20
Suction cup model	-	DCF40 Oily metal sheet
Movement, vertical max.	mm	6.1
Curve radius, min.	mm	20

## Performance - Lifting forces

	Vertical (N)	Parallel (N)
DCF40 Dry metal sheet		
60 -kPa	43	27
90 -kPa	56	44
DCF40 Oily metal sheet		
60 -kPa	40	19
90 -kPa	55	28

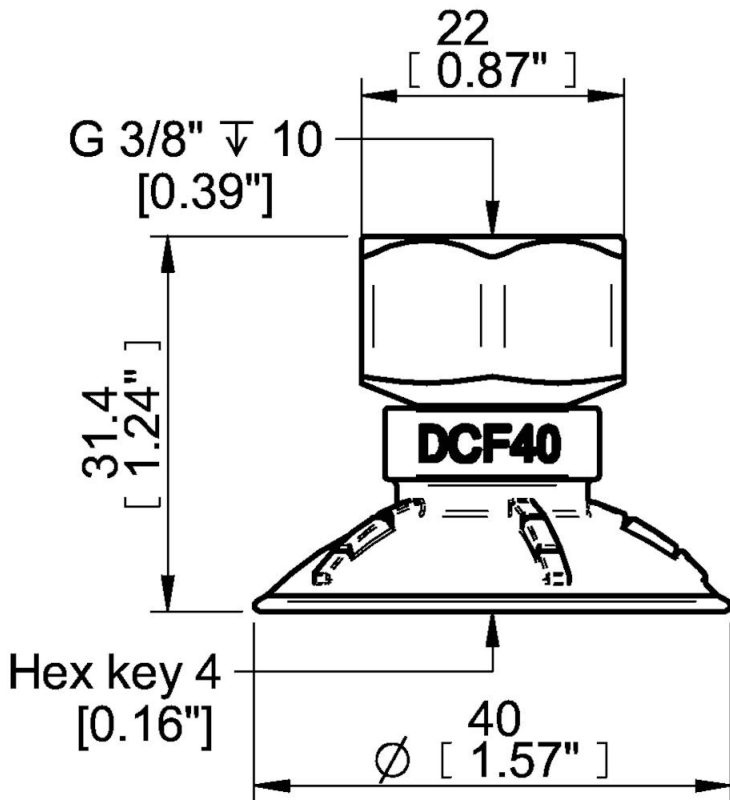
## Material

Name	Polyurethane (PU60)
Colour	Orange
Temperature, min.   °C	10
Temperature max.   °C	50
Hardness   °Shore A	60

## Material resistance

Alcohol	n/a
Concentrated acids	Fair
Ethanol	Fair
Hydrolysis	Fair
Methanol	Poor
Oil	Excellent
Oxidation	Poor
Petrol	Fair
Wear resistance	Excellent
Weather and ozone	Excellent

## Dimensional drawings



Values specified in this data sheet are tested at (unless otherwise stated):

- Room temperature (20°C [68°F] ± 3°C [5.5°F]).
- Standard atmosphere (101.3 [29.9 inHg] ± 1.0 kPa [0.3 inHg]).
- Relative humidity 20-70%.
- Compressed air quality, DIN ISO 8573-1 class 4.