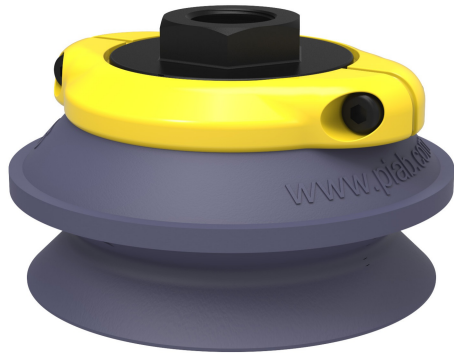


# Suction cup B75 HNBR, G3/8" female, with mesh filter

Article number: 0108175



- Suitable for level adjustment. Several short bellows in one lifting device can handle objects with height differences and varying shapes, for example embossed or corrugated plates.
- The lifting movement can be used to separate small and thin objects.
- Only lightweight objects should be handled when the lifting force is parallel to the surface of the object, in order to achieve good precision and safe lifting movement.

## Technical data

Description	Unit	Value
Suction cup shape	-	Bellows
Application	-	Dry sheet metal, Glass handling, High/low temp cup (plastic), Plastic injection molded parts, Mark Free
Suction cup design	-	Round
Characteristics	-	Dry sheet metal, Glass handling, High/low temp cup (plastic), Plastic injection molded parts, Mark free
Material	-	HNBR
Weight, min.	g	118
Suction cup model	-	B
Volume	cm <sup>3</sup>	110
Height	mm	50.3
Outer diameter, min.	mm	82.2
Outer diameter, actuated	mm	88.7
Fitting size	-	3/8"
Fitting option	-	Filter mesh
Fitting style	-	Female
Fitting type	-	G-thread
Suction cup model	-	B75
Movement, vertical max.	mm	24
Curve radius, min.	mm	40

## Performance - Lifting forces

B75	Vertical (N)	Parallel (N)
20 -kPa	74	62.4
60 -kPa	167	122.4
90 -kPa	226	154.1

## Material

Name	HNBR 75° Shore A
Colour	Blue/grey
Temperature, min.   °C	-30
Temperature max.   °C	140
Hardness   °Shore A	75

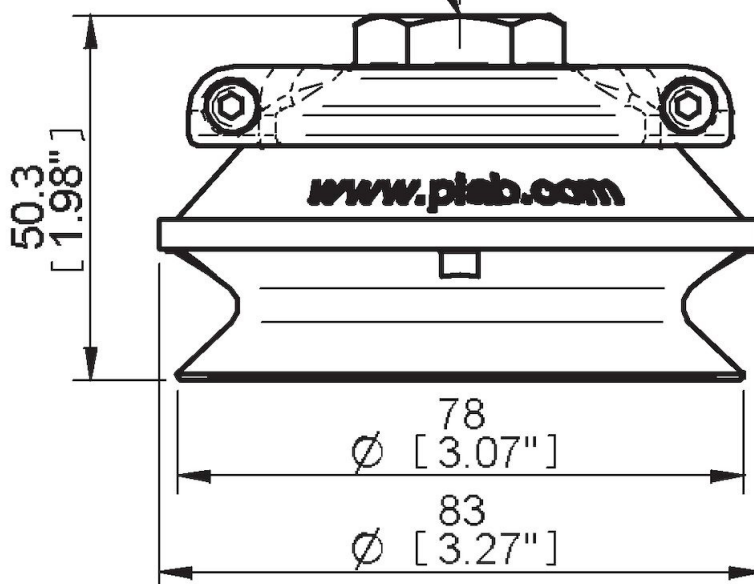
## Material resistance

Alcohol	Good
Concentrated acids	Fair
Ethanol	n/a
Hydrolysis	Good
Methanol	n/a
Oil	Excellent
Oxidation	Excellent
Petrol	Excellent
Wear resistance	Excellent
Weather and ozone	Excellent

## Dimensional drawings

1/8" NPSF, G3/8"

3/8" NPSF, G1/2"



Values specified in this data sheet are tested at (unless otherwise stated):

- Room temperature (20°C [68°F] ± 3°C [5.5°F]).
- Standard atmosphere (101.3 [29.9 inHg] ± 1.0 kPa [0.3 inHg]).
- Relative humidity 20-70%.
- Compressed air quality, DIN ISO 8573-1 class 4.

## Accessories

- 0100548 | Fitting 75, 1/8" NPSF female, with mesh filter
- 0100553 | Fitting 75, 3/8" NPSF female, with mesh filter
- 0100555 | Fitting 75, G1/2" female, with mesh filter
- 0127819 | Fitting 1/8" NPSF female AI, with mesh filter
- 0127820 | Fitting G1/2" female AI, with mesh filter
- 0127821 | Fitting 1/4" NPT female AI, with mesh filter & 10-32 addl. conn.
- 3150034P | Suction cup B75 Nitrile-PVC with washer
- 3150034S | Suction cup B75 Silicone with washer
- 3150034T | Suction cup B75 HNBR with washer
- 3150107P | Suction cup B75 Nitrile-PVC
- 3150107S | Suction cup B75 Silicone

## Spare parts

- 0100551 | Fitting 75, G3/8" female, with mesh filter
- 3150107T | Suction cup B75 HNBR