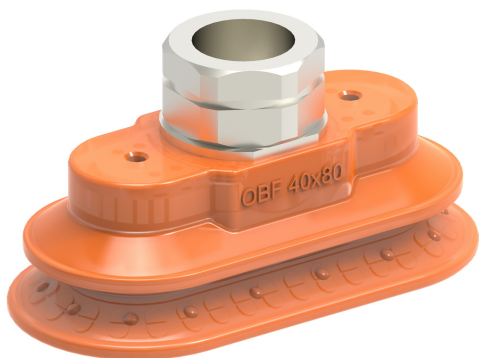


# Suction cup OBF40X80P Polyurethane 60, 3/8" NPT female

Article number: 0212799



- Special designed friction cups for oily surfaces, such as sheets in metal forming processes.
- Normal wear on friction cup will not affect the long term shear force performance.
- Best choice if > 0,1g/m2 press oil is used on the sheet.
- Thanks to the strong grip on oily surfaces, the suction cups can withstand high shear forces, typically 2–4 times more than corresponding conventional suction cups.
- The "OBF" design is suitable for oblong objects with domed and flat surfaces, such as those encountered with body parts in the automotive industry.
- Can handle objects with height differences.
- Fitting option, male G3/8", with a swivel function prior to the locking operation, for easy positioning of the oval cup.
- DURAFLEX® suction cups manufactured in a specially developed material that features the elasticity of rubber and wear resistance of polyurethane. The material does not leave any marks on the objects handled.

## Technical data

Description	Unit	Value
Suction cup shape	-	Bellows
Application	-	Oily sheet metal
Suction cup design	-	Oval
Characteristics	-	Oily sheet metal
Material	-	Polyurethane (PU)
Weight, min.	g	61.6
Suction cup model	-	OBF
Volume	cm <sup>3</sup>	22.36
Height (total height)	mm	39.6
Height 2 (actuated total height)	mm	31.2
Length	mm	79.3
Fitting size	-	3/8"
Fitting option	-	None
Fitting style	-	Female
Fitting type	-	NPT-thread
Width	mm	40.1
Length, actuated	mm	80.5
Width, actuated	mm	39.1
Material	-	Brass
Suction cup model	-	OBF40x80P Dry metal sheet
Movement, vertical max.	mm	8.4
Curve radius, min.	mm	55
Suction cup model	-	OBF40x80P Oily steel plate
Movement, vertical max.	mm	8.4
Curve radius, min.	mm	55

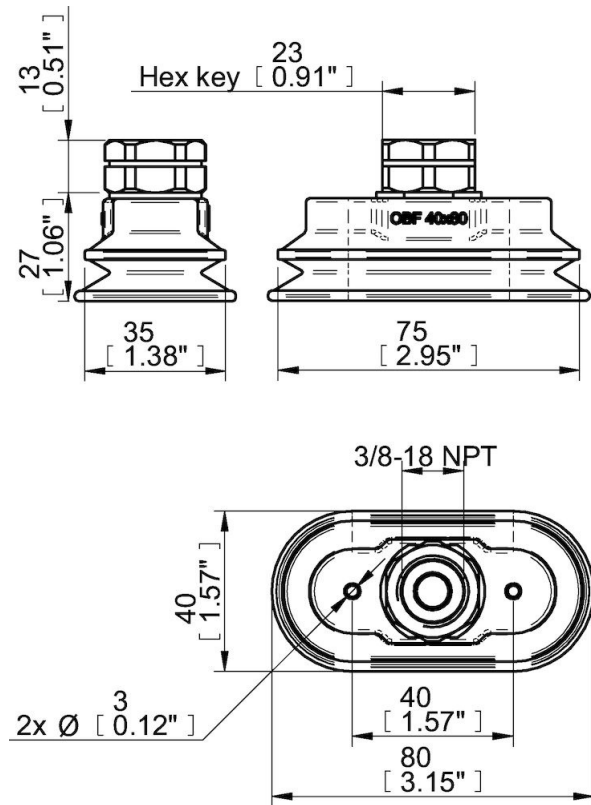
## Performance - Lifting forces

OBF40x80P Dry metal sheet	Vertical (N)	Parallel (N)
60 -kPa	72	44
90 -kPa	106	54
OBF40x80P Oily steel plate		
60 -kPa	72	25
90 -kPa	102	32

<b>Material</b>	
Name	Polyurethane (PU60)
Colour	Orange
Temperature, min.   °C	10
Temperature max.   °C	50
Hardness   °Shore A	60

<b>Material resistance</b>	
Alcohol	n/a
Concentrated acids	Fair
Ethanol	Fair
Hydrolysis	Fair
Methanol	Poor
Oil	Excellent
Oxidation	Poor
Petrol	Fair
Wear resistance	Excellent
Weather and ozone	Excellent

### Dimensional drawings



**Values specified in this data sheet are tested at (unless otherwise stated):**

- Room temperature (20°C [68°F] ± 3°C [5.5°F]).
- Standard atmosphere (101.3 [29.9 inHg] ± 1.0 kPa [0.3 inHg]).
- Relative humidity 20-70%.
- Compressed air quality, DIN ISO 8573-1 class 4.