

Suction cup D15-2 Silicone, M5 male

Article number: 3150010S



- Suitable for objects with curved or irregular surfaces.
- Grips around corners and edges.

Technical data

Description	Unit	Value
Suction cup shape	-	Deep
Application	-	Plastic injection molded parts
Suction cup design	-	Round
Characteristics	-	Plastic injection molded parts
Material	-	Silicone (SIL)
Weight, min.	g	1.2
Suction cup model	-	D
Volume	cm ³	0.9
Height	mm	25.1
Outer diameter, min.	mm	16
Fitting size	-	M5
Fitting option	-	None
Fitting style	-	Male
Fitting type	-	M-thread
Suction cup model	-	D15-2
Movement, vertical max.	mm	3.2
Curve radius, min.	mm	6

Performance - Lifting forces

D15-2	Vertical (N)	Parallel (N)
20 -kPa	2.9	2.8
60 -kPa	7.8	6.3
90 -kPa	11	7

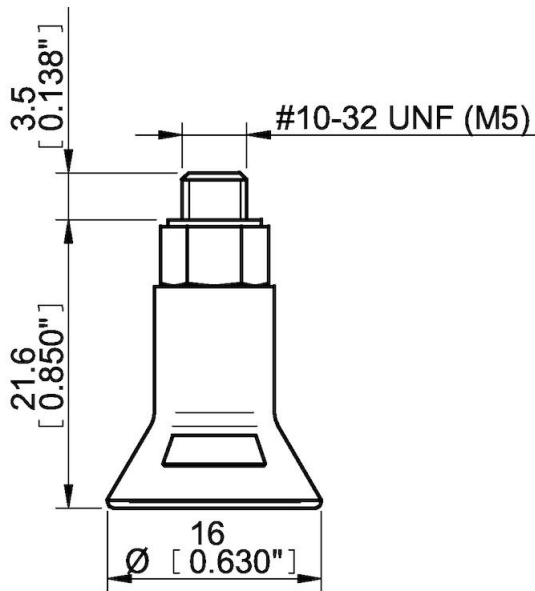
Material

Name	Silicone, SIL 50° Shore A
Colour	Red
Temperature, min. °C	-40
Temperature max. °C	200
Hardness °Shore A	50

Material resistance

Alcohol	Good
Concentrated acids	Poor
Ethanol	n/a
Hydrolysis	Fair
Methanol	n/a
Oil	Poor
Oxidation	Excellent
Petrol	Poor
Wear resistance	Good

Water and ozone	Excellent
Name	Silicone, SIL 50° Shore A
Dimensional drawings	Red
	-40
	200
	50
	Good
	Poor
	n/a
	Fair
	n/a
	Poor
	Excellent
	Poor
	Good
	Excellent



Values specified in this data sheet are tested at (unless otherwise stated):

- Room temperature (20°C [68°F] ± 3°C [5.5°F]).
- Standard atmosphere (101.3 [29.9 inHg] ± 1.0 kPa [0.3 inHg]).
- Relative humidity 20-70%.
- Compressed air quality, DIN ISO 8573-1 class 4.

Accessories

3150135 | Suction cup D15-2 Chloroprene

Spare parts

3107030 | Fitting M5 male, 10-15

3150135S | Suction cup D15-2 Silicone