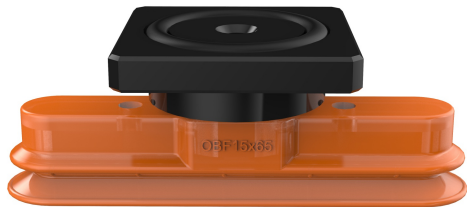


# Suction cup OBF15x65P Polyurethane 60, T-slot

Article number: 0207603



- Special designed friction cups for oily surfaces, such as sheets in metal forming processes.
- Normal wear on friction cup will not affect the long term shear force performance.
- Best choice if > 0,1g/m2 press oil is used on the sheet.
- Thanks to the strong grip on oily surfaces, the suction cups can withstand high shear forces, typically 2–4 times more than corresponding conventional suction cups.
- The small "OBF" cups are suitable for narrow objects with curved or flat surfaces and small gripping areas, such as those encountered with body parts in the automotive industry.
- Can handle objects with minor height differences.
- DURAFLEX® suction cups manufactured in a specially developed material that features the elasticity of rubber and wear resistance of polyurethane. The material does not leave any marks on the objects handled.

## Technical data

Description	Unit	Value
Suction cup shape	-	Bellows
Application	-	Oily sheet metal
Suction cup design	-	Oval
Characteristics	-	Oily sheet metal
Material	-	Polyurethane (PU)
Weight, min.	g	19
Suction cup model	-	OBF
Volume	cm <sup>3</sup>	2.6
Height	mm	23.4
Length	mm	66
Fitting size	-	None
Fitting option	-	None
Fitting style	-	T-slot
Fitting type	-	None
Width	mm	15
Length, actuated	mm	66.5
Width, actuated	mm	15
Material	-	Al
Suction cup model	-	OBF15x65P Oily metal sheet
Movement, vertical max.	mm	2.9
Curve radius, min.	mm	20
Suction cup model	-	OBF15x65P Dry metal sheet
Movement, vertical max.	mm	2.9
Curve radius, min.	mm	20

## Performance - Lifting forces

	Vertical (N)	Parallel (N)
OBF15x65P Oily metal sheet		
60 -kPa	31	7
90 -kPa	41	8
OBF15x65P Dry metal sheet		
60 -kPa	41	31
90 -kPa	52	35

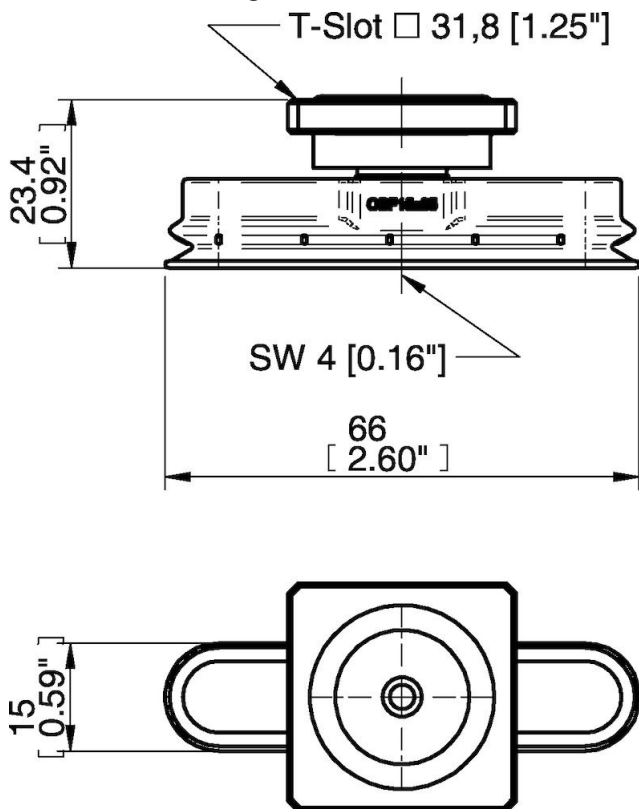
## Material

Name	Polyurethane (PU60)
Colour	Orange
Temperature, min.   °C	10
Temperature max.   °C	50
Hardness   °Shore A	60

## Material resistance

Alcohol	n/a
Concentrated acids	Fair
Ethanol	Fair
Hydrolysis	Fair
Methanol	Poor
Oil	Excellent
Oxidation	Poor
Petrol	Fair
Wear resistance	Excellent
Weather and ozone	Excellent

## Dimensional drawings



## Values specified in this data sheet are tested at (unless otherwise stated):

- Room temperature (20°C [68°F] ± 3°C [5.5°F]).
- Standard atmosphere (101.3 [29.9 inHg] ± 1.0 kPa [0.3 inHg]).
- Relative humidity 20-70%.
- Compressed air quality, DIN ISO 8573-1 class 4.