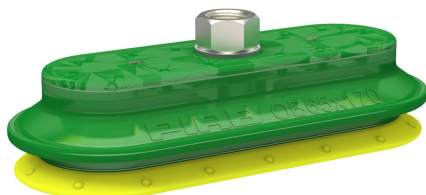


# Suction cup OB65x170P Polyurethane 30/60, 3/8" NPSF female

Article number: 0109861



- Suitable for level adjustment. Can handle objects with height differences and varying shapes, for example embossed or corrugated plates.
- Lifting movement to separate small and thin objects.
- In the two coloured suction cup, the bellows and the sealing lip are of different hardnesses, which makes the suction cup strong and stable and, at the same time, soft and flexible.
- DURAFLEX® are suction cups manufactured in a specially developed material that features the elasticity of rubber and wear resistance of polyurethane. The material does not leave any marks on the objects handled.

## Technical data

Description	Unit	Value
Suction cup shape	-	Bellows
Application	-	Corrugated / cardboard
Suction cup design	-	Oval
Characteristics	-	Corrugated / cardboard
Material	-	Polyurethane (PU)
Weight, min.	g	241
Suction cup model	-	OB
Volume	cm <sup>3</sup>	175
Height	mm	54.5
Length	mm	177
Outer diameter, min.	mm	177
Fitting size	-	3/8"
Fitting option	-	None
Fitting style	-	Female
Fitting type	-	NPSF-thread
Width	mm	76
Suction cup model	-	OB65x170P PU30 PU60
Movement, vertical max.	mm	16
Curve radius, min.	mm	38

## Performance - Lifting forces

OB65x170P PU30 PU60	Vertical (N)	Parallel (N)
20 -kPa	119	141
60 -kPa	335	379
90 -kPa	541	532

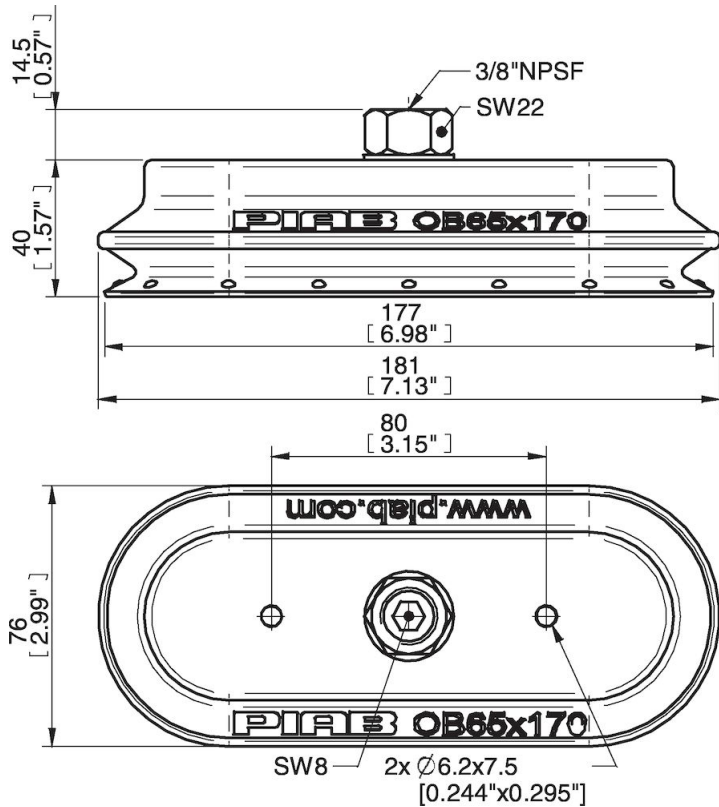
## Material

Name	Polyurethane (PU30)	Polyurethane (PU60)
Colour	Yellow	Green transparent
Temperature, min.   °C	10	10
Temperature max.   °C	50	50
Hardness   °Shore A	30	60

## Material resistance

Alcohol	n/a	n/a
Concentrated acids	Fair	Fair
Ethanol	Fair	Fair
Hydrolysis	Fair	Fair
Methanol	Poor	Poor
Oil	Excellent	Excellent
Oxidation	Poor	Poor
Petrol	Fair	Fair
Wear resistance	Excellent	Excellent
Weather and ozone	Excellent	Excellent

## Dimensional drawings



## Values specified in this data sheet are tested at (unless otherwise stated):

- Room temperature (20°C [68°F] ± 3°C [5.5°F]).
- Standard atmosphere (101.3 [29.9 inHg] ± 1.0 kPa [0.3 inHg]).
- Relative humidity 20-70%.
- Compressed air quality, DIN ISO 8573-1 class 4.

## Accessories

- 0107148 | Thread insert G3/8" male, with O-ring and mesh filter
- 0109916 | Suction cup OB65x170P Polyurethane 60

## Spare parts

- 0109917 | Suction cup OB65x170P Polyurethane 30/60