

# Suction cup BX25P Polyurethane 60 with filter, M5 female

Article number: 0109400



- Suitable for level adjustment and for uneven and porous surfaces such as cardboard, etc.
- DURAFLEX® suction cups manufactured in a specially developed material that features the elasticity of rubber and wear resistance of polyurethane.
- The material DURAFLEX® is mark free.

## Technical data

Description	Unit	Value
Suction cup shape	-	Multibellows
Application	-	Dry sheet metal, Corrugated / cardboard, Mark Free, Plastic injection molded parts
Suction cup design	-	Round
Characteristics	-	Dry sheet metal, Corrugated / cardboard, Mark free, Plastic injection molded parts
Material	-	Polyurethane (PU)
Weight, min.	g	3
Suction cup model	-	BX-P
Volume	cm <sup>3</sup>	3
Height	mm	25
Outer diameter, min.	mm	26
Fitting size	-	None
Fitting option	-	Filter disc
Fitting style	-	Female
Fitting type	-	M-thread
Suction cup model	-	BX25P PU60
Movement, vertical max.	mm	8.5
Curve radius, min.	mm	8

## Performance - Lifting forces

BX25P PU60	Vertical (N)	Parallel (N)
20 -kPa	9	7
60 -kPa	14	11
90 -kPa	18	14

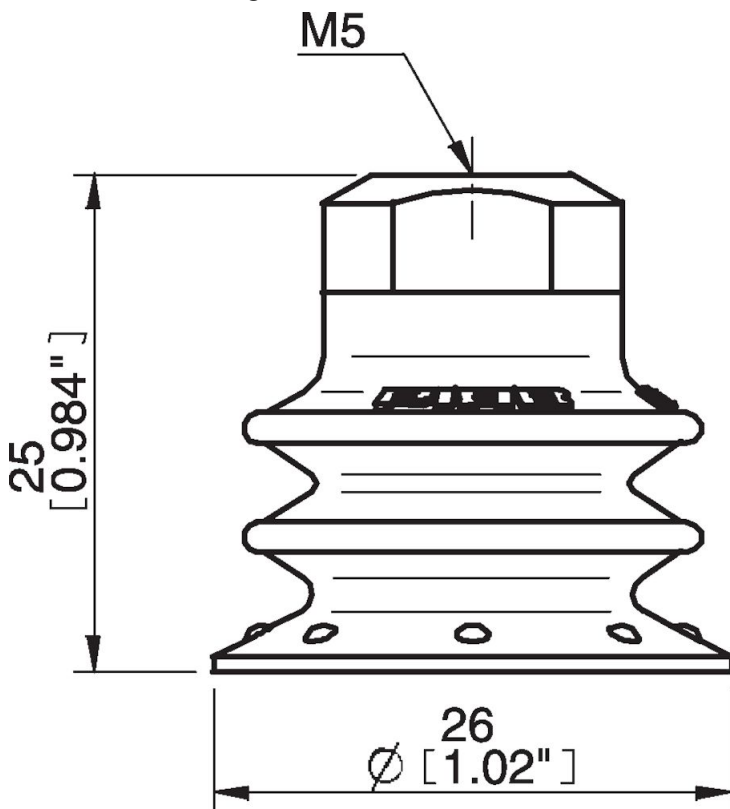
## Material

Name	Polyurethane (PU60)
Colour	Green transparent
Temperature, min.   °C	10
Temperature max.   °C	50
Hardness   °Shore A	60

## Material resistance

Alcohol	n/a
Concentrated acids	Fair
Ethanol	Fair
Hydrolysis	Fair
Methanol	Poor
Oil	Excellent
Oxidation	Poor
Petrol	Fair
Wear resistance	Excellent
Weather and ozone	Excellent

## Dimensional drawings



## Values specified in this data sheet are tested at (unless otherwise stated):

- Room temperature (20°C [68°F] ± 3°C [5.5°F]).
- Standard atmosphere (101.3 [29.9 inHg] ± 1.0 kPa [0.3 inHg]).
- Relative humidity 20-70%.
- Compressed air quality, DIN ISO 8573-1 class 4.

## Accessories

- 0100260 | Fitting 5xM5 female
- 0101152 | Fitting G1/8" male/M5 female, with mesh filter
- 0108240 | Suction cup BX25P Polyurethane 60
- 0109006 | Suction cup BX25P Polyurethane 30/60
- 0109312 | Suction cup BX25P Polyurethane 30/60, with filter
- 3250004 | Fitting G1/8" male/M5 female
- 3250085 | Fitting G1/8" male, with mesh filter
- 3250088 | Fitting 1/8" NPT male, with mesh filter
- 3251001 | Fitting M5 female, with dual flow control valve
- 3251003 | Fitting 1/8" NPT male, with dual flow control valve
- 3251004 | Fitting G1/8" male/M5 female, with dual flow control valve
- 3251005 | Fitting 5xM5 female, with dual flow control valve

## Spare parts

0109397 | Suction cup BX25P Polyurethane 60, with filter

3250003 | Fitting M5 female

0201000 | Suction cup filter BX25P, 10 pcs