

XLF200 Extra Large Flat cup, G1/2" female

Article number: 0127132



- Suitable for handling large and heavy sheets, such as glass and metal, with a flat or slightly concave surface.
- Friction pattern increases safety and capability to handle tilted or standing glass/metal sheets.
- Double lip design increases safety against overload or tear on the outer lip.
- Durable and abrasive resistant material reduces the risk for marks.
- Flat mounting plate facilitates customized mounting interfaces.
- Auxiliary port, suitable for vacuum sensing or efficient blow-off/release.

Technical data

Description	Unit	Value
Suction cup shape	-	Flat
Application	-	Dry sheet metal, Glass handling, Mark Free
Suction cup design	-	Round
Characteristics	-	Dry sheet metal, Glass handling, Mark free
Material	-	Nitrile-PVC (NPV) 60°
Weight, min.	g	792
Suction cup model	-	XLF
Volume	cm ³	275
Height	mm	27
Outer diameter, min.	mm	204
Outer diameter, actuated	mm	209
Fitting size	-	1/2"
Fitting option	-	None
Fitting style	-	Female
Fitting type	-	G-thread
Suction cup model	-	XLF200 Inner lip
Movement, vertical max.	mm	8
Curve radius, min.	mm	800
Suction cup model	-	XLF200 Outer lip
Movement, vertical max.	mm	8
Curve radius, min.	mm	800

Performance - Lifting forces

XLF200 Inner lip	Vertical (N)	Parallel (N)
40 -kPa	780	663
60 -kPa	1166	991
90 -kPa	1717	1459
XLF200 Outer lip	Vertical (N)	Parallel (N)
40 -kPa	1089	926
60 -kPa	1573	1337
90 -kPa	2237	1901

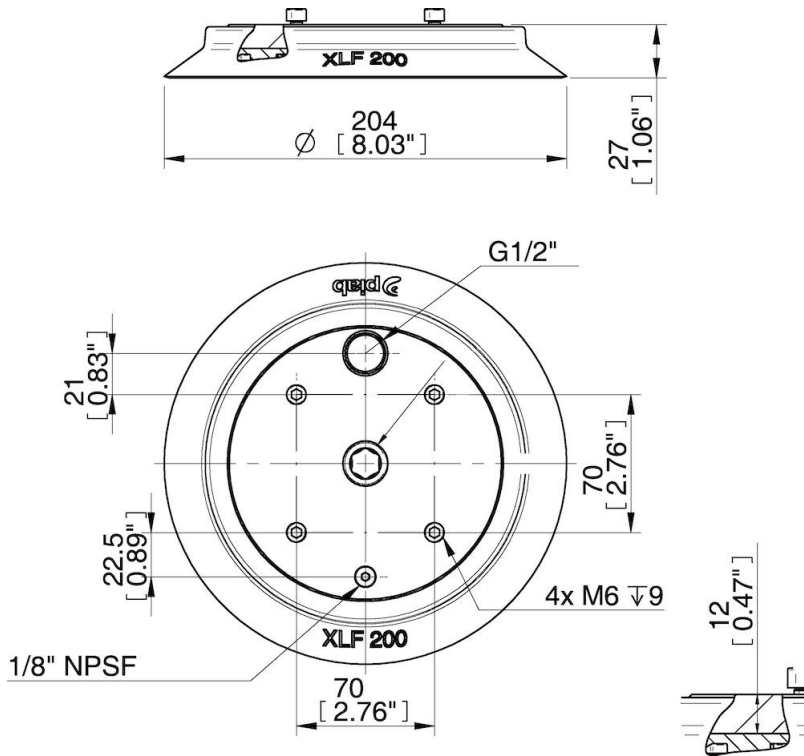
Material

Name	Nitrile-PVC (NPV)
Colour	Black
Temperature, min. °C	0
Temperature max. °C	90
Hardness °Shore A	60

Material resistance

Alcohol	Good
Concentrated acids	Fair
Ethanol	n/a
Hydrolysis	Good
Methanol	n/a
Oil	Excellent
Oxidation	Good
Petrol	Excellent
Wear resistance	Excellent
Weather and ozone	Good

Dimensional drawings



Values specified in this data sheet are tested at (unless otherwise stated):

- Room temperature (20°C [68°F] \pm 3°C [5.5°F]).
- Standard atmosphere (101.3 [29.9 inHg] \pm 1.0 kPa [0.3 inHg]).
- Relative humidity 20-70%.
- Compressed air quality, DIN ISO 8573-1 class 4.