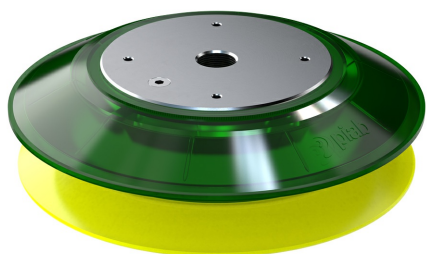


B200P Polyurethane suction cup 30/60 with G 1/2" female

Article number: 0241406



- Reliable handling of difficult objects, e.g. with uneven and porous surfaces such as wood or cardboard etc., particularly with the two-colored suction cups where the harder bellows provide stability while the soft and flexible lips ensure full coverage of such surfaces (only on 30/60 shore version).
- Unspoiled surfaces thanks to the mark-free characteristics of the DURAFLEX® material with the 60 shore lips, i.e. one colored surface, on smooth surfaces such as glass or coated materials (only on 60/60 shore version).
- Allowing movements in all directions thanks to the strong grip of DURAFLEX® material.
- Stable processes with the integrated aluminum plate providing rigidity to avoid bending forces affecting the fittings.
- Enable handling parts with different heights thanks to level adjustment capabilities if several suction cups are combined in one gripper.
- Low downtimes thanks to the high wear resistance and long lasting elastic memory of the DURAFLEX® material.

Technical data

Description	Unit	Value
Suction cup shape	-	Bellows
Application	-	Dry sheet metal, Mark Free, Plastic injection molded parts
Suction cup design	-	Round
Characteristics	-	Dry sheet metal, Mark free, Plastic injection molded parts
Material	-	Polyurethane (PU)
Weight, min.	g	697
Suction cup model	-	B-P
Volume	cm ³	718
Height	mm	55
Outer diameter, max.	mm	202
Outer diameter, min.	mm	195
Outer diameter, actuated	mm	206
Fitting size	-	1/2"
Fitting style	-	Female
Suction cup model	-	B200P PU30/60
Movement, vertical max.	mm	31
Curve radius, min.	mm	260

Performance - Lifting forces

B200P PU30/60	Vertical (N)	Parallel (N)
20 -kPa	504	252
60 -kPa	1064	532
90 -kPa	1522	761

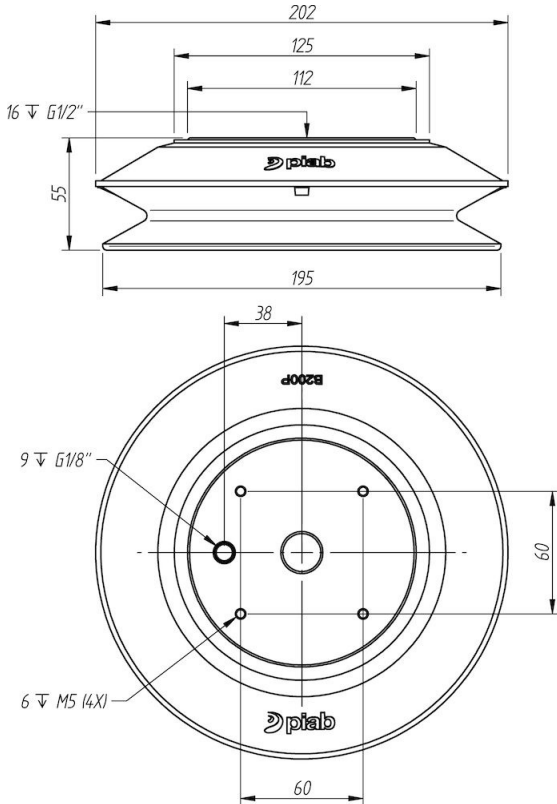
Material

Name	Polyurethane (PU30)	Polyurethane (PU60)
Colour	Yellow	Green transparent
Temperature, min. °C	10	10
Temperature max. °C	50	50
Hardness °Shore A	30	60

Material resistance

Alcohol	n/a	n/a
Concentrated acids	Fair	Fair
Ethanol	Fair	Fair
Hydrolysis	Fair	Fair
Methanol	Poor	Poor
Oil	Excellent	Excellent
Oxidation	Poor	Poor
Petrol	Fair	Fair
Wear resistance	Excellent	Excellent
Weather and ozone	Excellent	Excellent

Dimensional drawings



Values specified in this data sheet are tested at (unless otherwise stated):

- Room temperature (20°C [68°F] ± 3°C [5.5°F]).
- Standard atmosphere (101.3 [29.9 inHg] ± 1.0 kPa [0.3 inHg]).
- Relative humidity 20-70%.
- Compressed air quality, DIN ISO 8573-1 class 4.