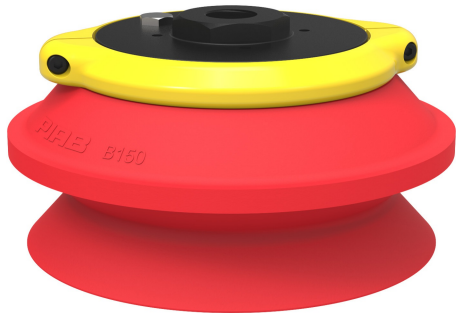


# Suction cup B150 Silicone, G1/2" female, with mesh filter

Article number: 0101928



- Suitable for level adjustment. Several short bellows in one lifting device can handle objects with height differences and varying shapes, for example embossed or corrugated plates.
- The lifting movement can be used to separate small and thin objects.
- Only lightweight objects should be handled when the lifting force is parallel to the surface of the object, in order to achieve good precision and safe lifting movement.

## Technical data

Description	Unit	Value
Suction cup shape	-	Bellows
Application	-	Dry sheet metal, Plastic injection molded parts
Suction cup design	-	Round
Characteristics	-	Dry sheet metal, Plastic injection molded parts
Material	-	Silicone (SIL)
Weight, min.	g	265
Suction cup model	-	B
Volume	cm <sup>3</sup>	650
Height	mm	85.3
Outer diameter, min.	mm	160
Outer diameter, actuated	mm	176
Fitting size	-	1/2"
Fitting option	-	Filter mesh
Fitting style	-	Female
Fitting type	-	G-thread
Suction cup model	-	B150
Movement, vertical max.	mm	46.6
Curve radius, min.	mm	75

## Performance - Lifting forces

B150	Vertical (N)	Parallel (N)
20 -kPa	294	
60 -kPa	686	
90 -kPa	883	

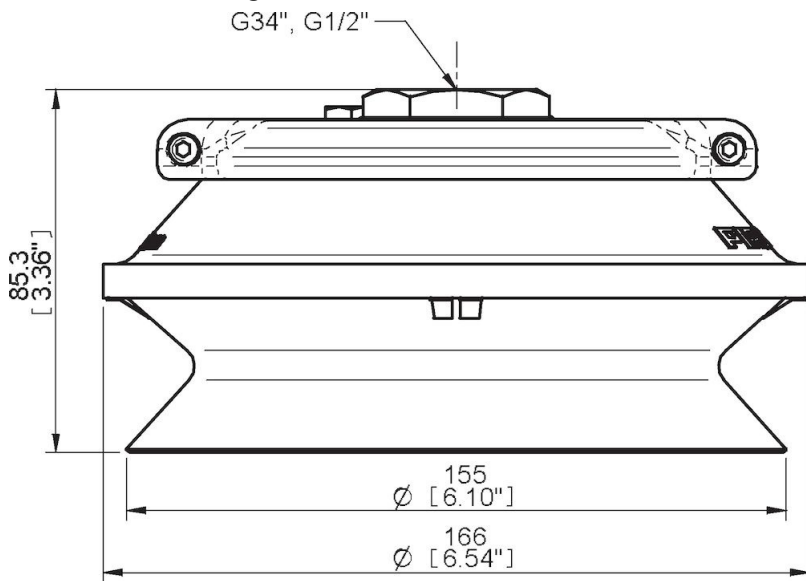
## Material

Name	Silicone, SIL 50° Shore A
Colour	Red
Temperature, min.   °C	-40
Temperature max.   °C	200
Hardness   °Shore A	50

## Material resistance

Alcohol	Good
Concentrated acids	Poor
Ethanol	n/a
Hydrolysis	Fair
Methanol	n/a
Oil	Poor
Oxidation	Excellent
Petrol	Poor
Wear resistance	Good
Weather and ozone	Excellent

## Dimensional drawings



## Values specified in this data sheet are tested at (unless otherwise stated):

- Room temperature (20°C [68°F] ± 3°C [5.5°F]).
- Standard atmosphere (101.3 [29.9 inHg] ± 1.0 kPa [0.3 inHg]).
- Relative humidity 20-70%.
- Compressed air quality, DIN ISO 8573-1 class 4.

## Accessories

- 0100567 | Fitting 150, G3/4" female, with mesh filter
- 3150109S | Suction cup B150 Silicone
- 3150109P | Suction cup B150 Nitrile-PVC

## Spare parts

- 0100564 | Fitting 150, G1/2" female, with mesh filter
- 3150109S | Suction cup B150 Silicone