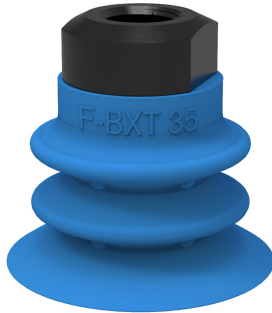


# Suction cup F-BXT35 Silicone 1/8" NPSF female

Article number: 0210679



- The silicone material complies with FDA 21 CFR 177.2600 and EU 1935/2004.
- Long lasting high-end silicone material.
- A low percentage metal additive (Fe) is mixed with the rubber material to make it detectable.
- The multi-bellow cup has an extra-long and extra thin lip. As a result, it will pick/lift better on the surfaces that are textured or seeded, such as seeded hard bread & lasagna plates.
- F-BXT 35 is available with Piab's fittings range used for standard/regular suction cups.
- Low vacuum level needed to collapse bellows. Reduces risk for damaging the handled food product.

## Technical data

Description	Unit	Value
Suction cup shape	-	Multibellows
Application	-	Food contact materials (FDA & EU), detectable
Suction cup design	-	Round
Characteristics	-	Food contact materials (FDA & EU), detectable
Material	-	Silicone (SIL)
Weight, min.	g	9.5
Suction cup model	-	F-BXT
Volume	cm <sup>3</sup>	6
Height	mm	32.5
Outer diameter, min.	mm	35
Outer diameter, actuated	mm	35.46666667
Fitting size	-	1/8"
Fitting style	-	Female
Fitting type	-	NPSF-thread
Material	-	ASTM 316L
Suction cup model	-	F-BXT35
Movement, vertical max.	mm	13.1

## Performance - Lifting forces

F-BXT35	Vertical (N)	Parallel (N)
10 -kPa	5.7	5.7
20 -kPa	8.3	8.3
40 -kPa	11.5	11.5

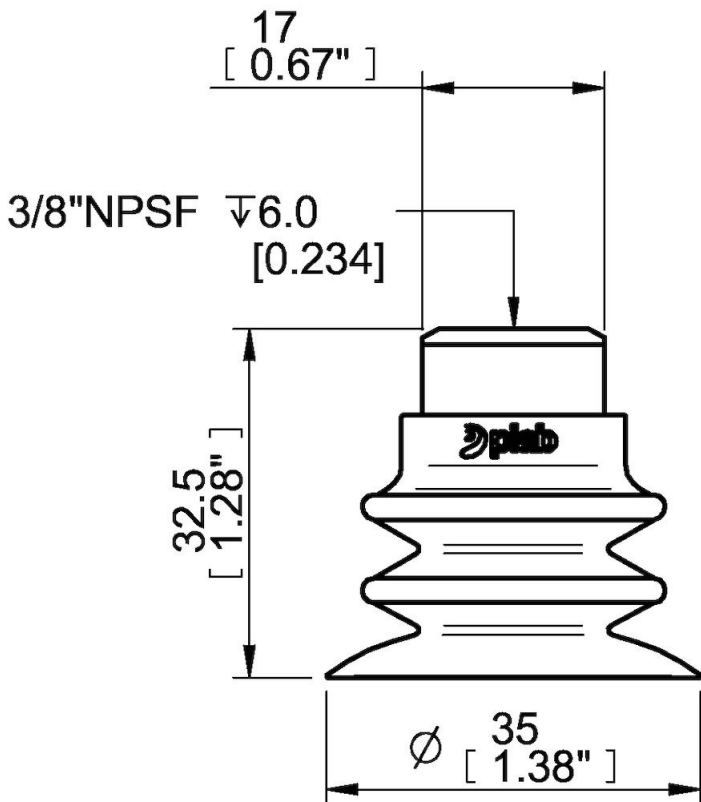
## Material

Name	Silicone (SIL detectable FCM)
Colour	Blue
Temperature, min.   °C	-40
Temperature max.   °C	200
Hardness   °Shore A	40

## Material resistance

Alcohol	Good
Concentrated acids	Poor
Ethanol	n/a
Hydrolysis	Fair
Methanol	n/a
Oil	Poor
Oxidation	Excellent
Petrol	Poor
Wear resistance	Good
Weather and ozone	Excellent

## Dimensional drawings



## Values specified in this data sheet are tested at (unless otherwise stated):

- Room temperature (20°C [68°F] ± 3°C [5.5°F]).
- Standard atmosphere (101.3 [29.9 inHg] ± 1.0 kPa [0.3 inHg]).
- Relative humidity 20-70%.
- Compressed air quality, DIN ISO 8573-1 class 4.

## Spare parts

3250005 | Fitting 1/8" NPSF female, 30-40