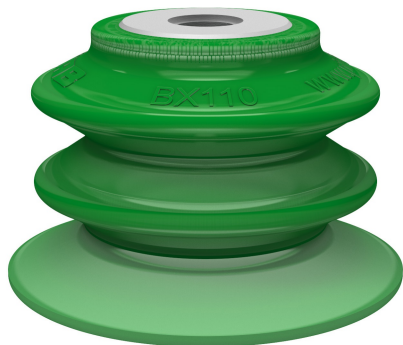


# Suction cup BX110P Polyurethane 60, with filter

Article number: 0108340



- Suitable for level adjustment and for uneven and porous surfaces such as cardboard, etc.
- In the two-coloured suction cup the bellows and the sealing lip are of different hardnesses, which makes the suction cup strong and stable and, at the same time, soft and flexible.
- DURAFLEX® suction cups manufactured in a specially developed material that features the elasticity of rubber and wear resistance of polyurethane.
- The material DURAFLEX® is mark free.

## Technical data

Description	Unit	Value
Suction cup shape	-	Multibellows
Application	-	Dry sheet metal, Corrugated / cardboard, Plastic injection molded parts, Mark Free
Suction cup design	-	Round
Characteristics	-	Dry sheet metal, Corrugated / cardboard, Plastic injection molded parts, Mark free
Material	-	Polyurethane (PU)
Weight, min.	g	237
Suction cup model	-	BX-P
Volume	cm <sup>3</sup>	230
Height	mm	74
Outer diameter, min.	mm	113.7
Fitting size	-	None
Fitting option	-	Filter
Fitting style	-	None
Fitting type	-	None
Suction cup model	-	BX110P PU60
Movement, vertical max.	mm	39
Curve radius, min.	mm	55

## Performance - Lifting forces

BX110P PU60	Vertical (N)	Parallel (N)
20 -kPa	181	158
60 -kPa	365	244
90 -kPa	424	293

## Material

Name	Polyurethane (PU60)
Colour	Green transparent
Temperature, min.   °C	10
Temperature max.   °C	50
Hardness   °Shore A	60

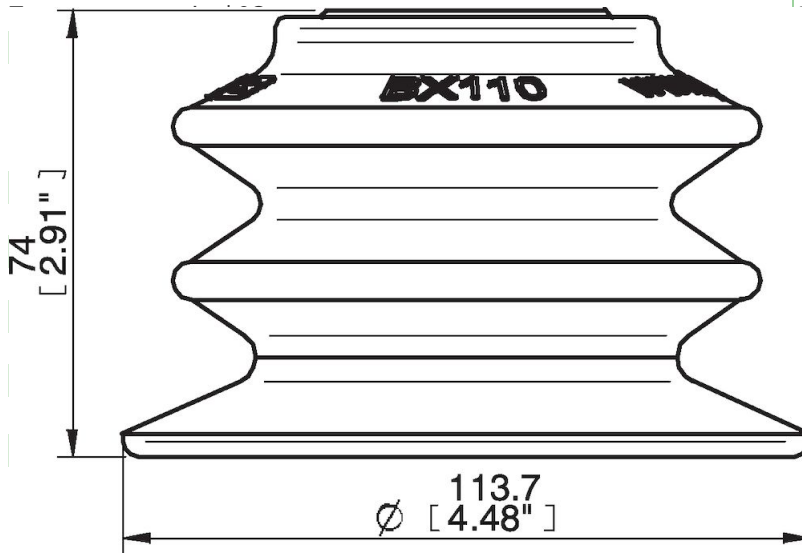
## Material resistance

Alcohol	n/a
Concentrated acids	Fair
Ethanol	Fair
Hydrolysis	Fair
Methanol	Poor
Oil	Excellent
Oxidation	Poor
Petrol	Fair
Wear resistance	Excellent

Water and ozone

Name Polyurethane (PU60)

Dimensional drawings Green transparent



0
0
0
/a
air
air
air
oor
xcellent
oor
air
xcellent
xcellent

Values specified in this data sheet are tested at (unless otherwise stated):

- Room temperature (20°C [68°F] ± 3°C [5.5°F]).
- Standard atmosphere (101.3 [29.9 inHg] ± 1.0 kPa [0.3 inHg]).
- Relative humidity 20-70%.
- Compressed air quality, DIN ISO 8573-1 class 4.

**Spare parts**

0201004 | Suction cup filter BX110P, 10 pcs